

EQUERRE 2 TROUS 2 HOLE ANGLE

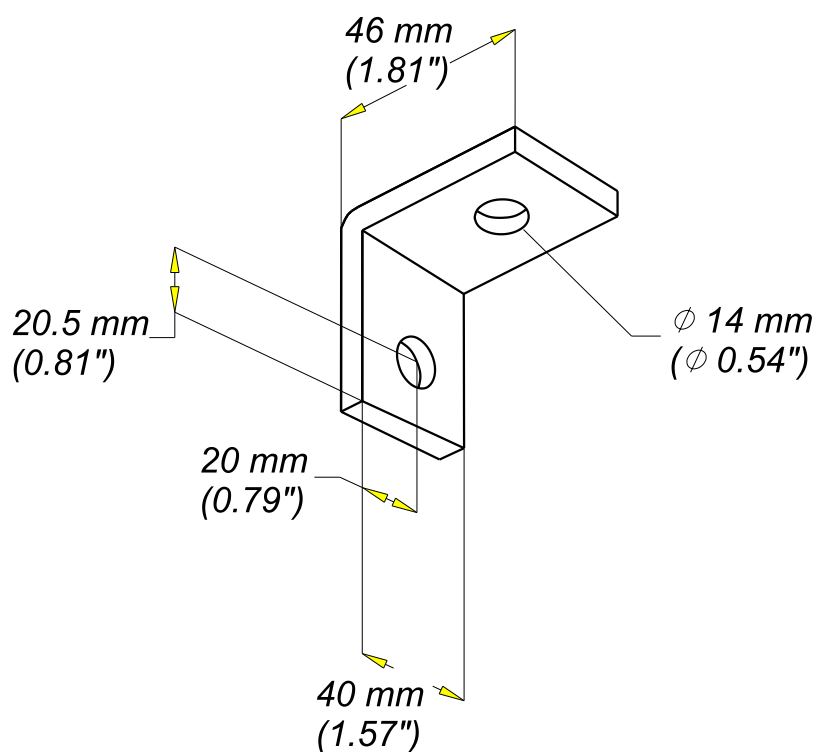
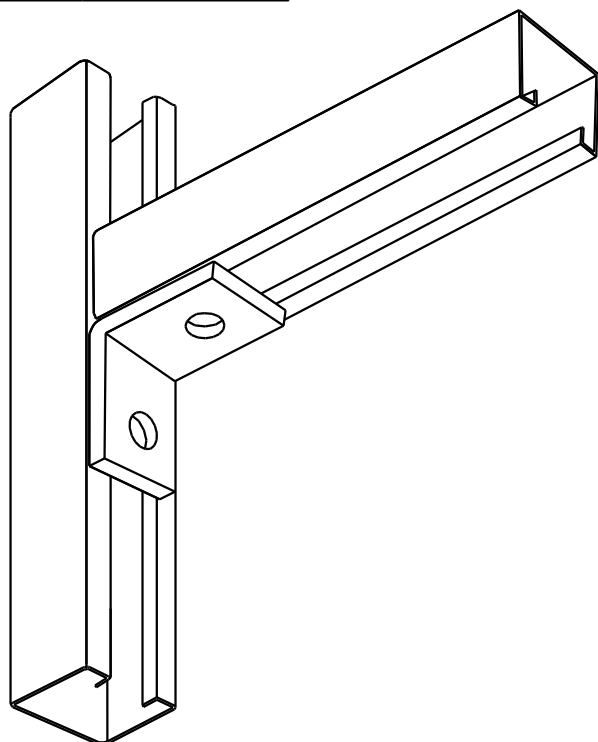
INOX 316L



CABLE
MANAGEMENT

FT0239-4

02 16



Material	Standard
X2 CrNiMo 17-12-2	EN 10088-2

EPAISSEUR / THICKNESS
6 / (0.24")

REF	CODE	POIDS (Kg)	WEIGHT (lb)
EQ2T	595 244	0.160	0.353