

PLAQUE DE VERROUILLAGE LOCKING PLATE

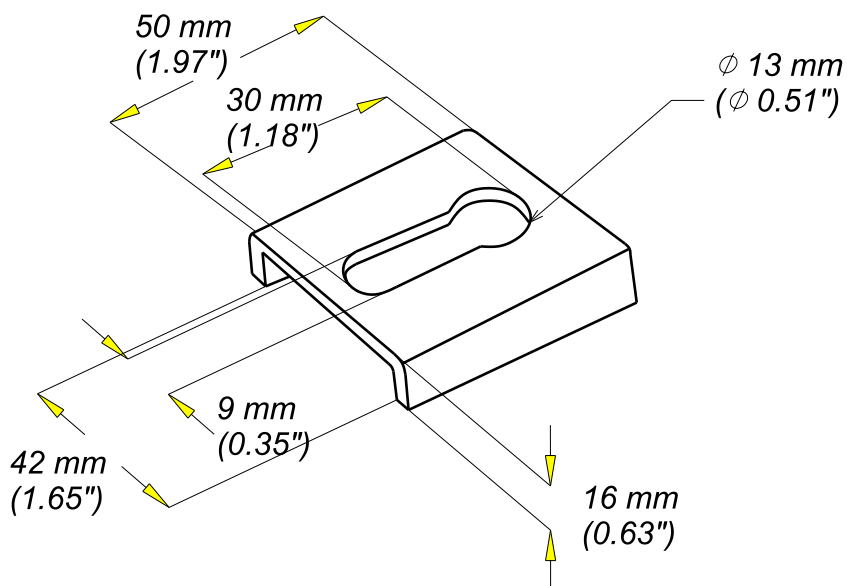
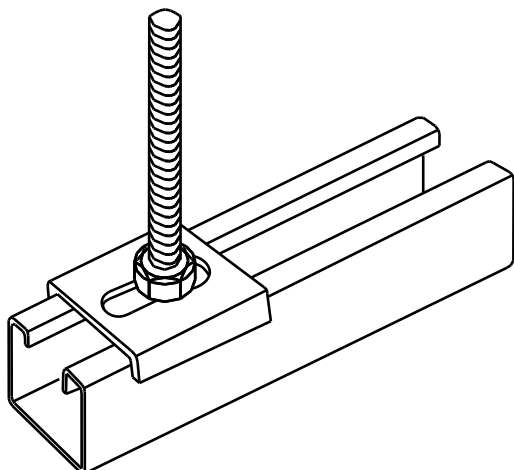
INOX 316L



CABLE
MANAGEMENT

FT0236-4

02 16



Material	Standard
X2 CrNiMo 17-12-2	EN 10088-2

REF	CODE	POIDS (Kg)	WEIGHT (lb)
PV41	595 284	0.080	0.177

EPAISSEUR / THICKNESS
3 / (0.12")