

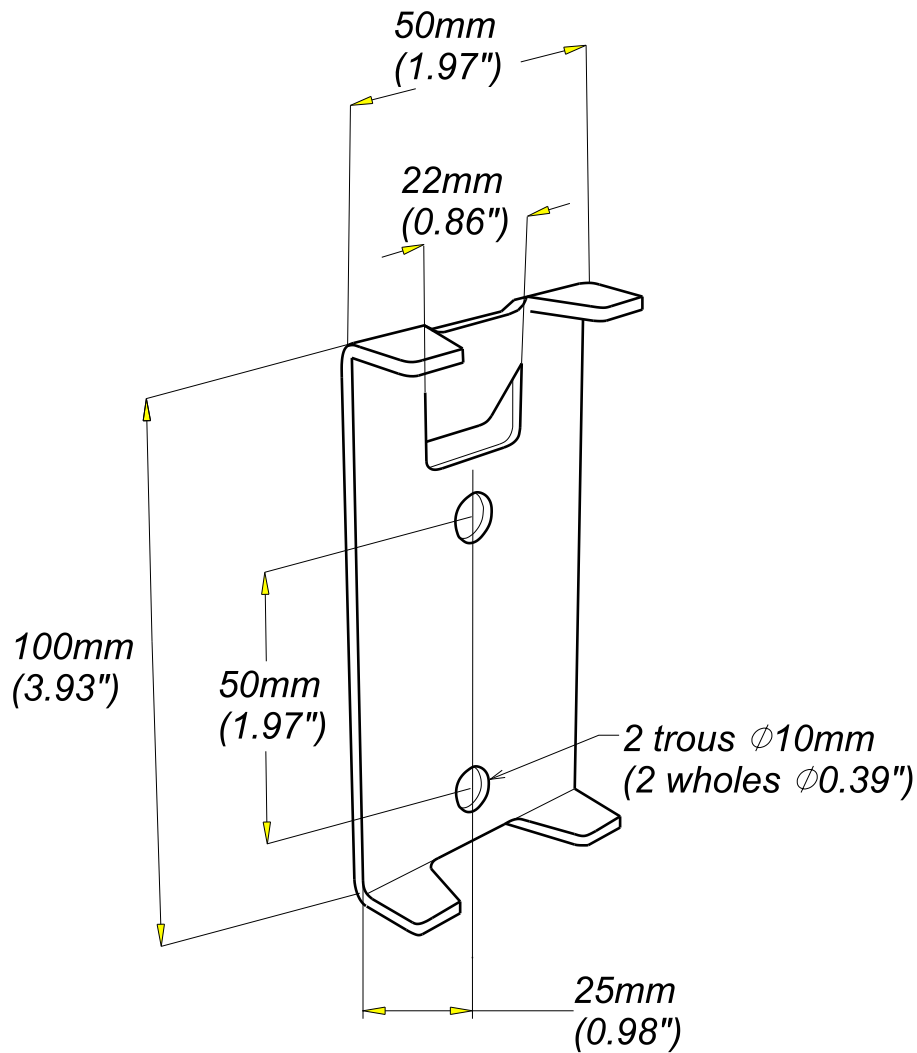
INTERFAS
INTERFAS

DC
ZINC FLAKE

 CABLE
MANAGEMENT

FT0212-7

04 16



REF	CODE	POIDS (Kg)	WEIGHT (lb)
INTERFAS	557 803	0.100	0.220

EPAISSEUR / THICKNESS 2 / 0.08"	NORME / STANDARD
MATIERE / MATERIAL S 235 JR	EN 10025-2
PROTECTION / COATING Zinc Lamellaire / Zinc Flake	Class 6 according to CEI 61537