

SEMELLE ORIENTABLE DE CONSOLE GC
 ORIENTABLE BRACKET SOLE

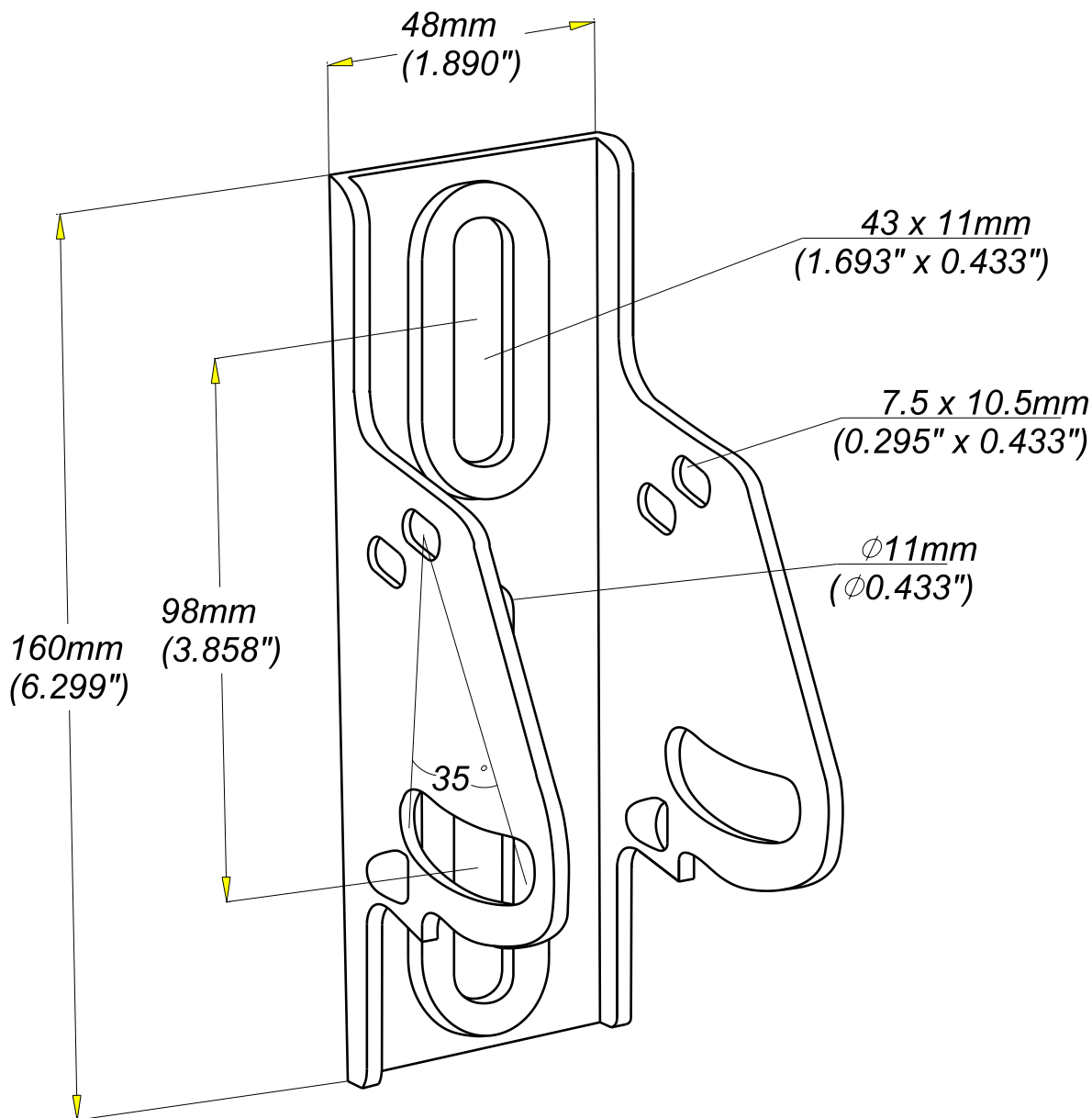
GC
 HDG



CABLE
 MANAGEMENT

FT0211-3

04 / 16



| REF | CODE | POIDS / WEIGHT (Kg) / (lb) |
|-----|---------|-------------------------------|
| SI | 561 103 | 0.266 / 0.587 |

| | |
|---|-----------------------------------|
| EPAISSEUR / THICKNESS 2 / 0.08" | NORME / STANDARD |
| MATIERE / MATERIAL S 235 JR | EN 10025-2 |
| PROTECTION / COATING GC / Hot Dip Galvanised | Class 6 according to CEI 61537 |