

ECHELLE EDF EDF RISER

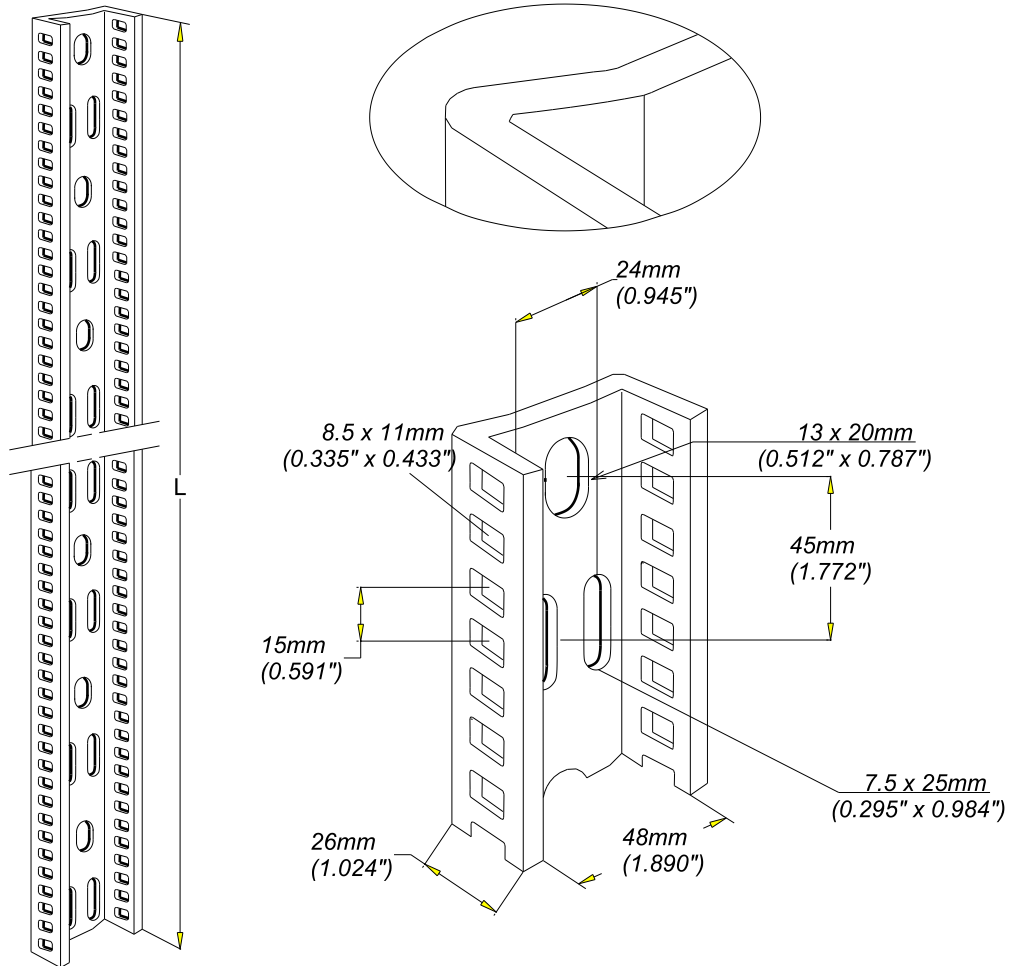
GS
PG



CABLE
MANAGEMENT

FT0204-0

04-16



REF	CODE	POIDS (Kg/m)	/ WEIGHT (lb/ft)	L (mm)	L (inch)
EDF100	561 320	1.540	1.035	90	3.54
EDF200	561 330	1.540	1.035	180	7.08
EDF300	561 310	1.540	1.035	270	10.63
EDF400	561 340	1.540	1.035	360	14.17
EDF450	561 350	1.540	1.035	450	17.71
EDF500	561 360	1.540	1.035	540	26.57
EDF600	557 610	1.540	1.035	630	31.00
EDF2/1000	561 090	1.540	1.035	990	38.97
EDF2/2000	561 010	1.540	1.035	1980	77.95
EDF2/3000	561 020	1.540	1.035	2970	116.9

EPAISSEUR / THICKNESS 2 / (0.08")	NORME / STANDARD
MATIERE / MATERIAL DX 51 D Z275 MAC	EN 10346
PROTECTION / COATING GS / PG	