

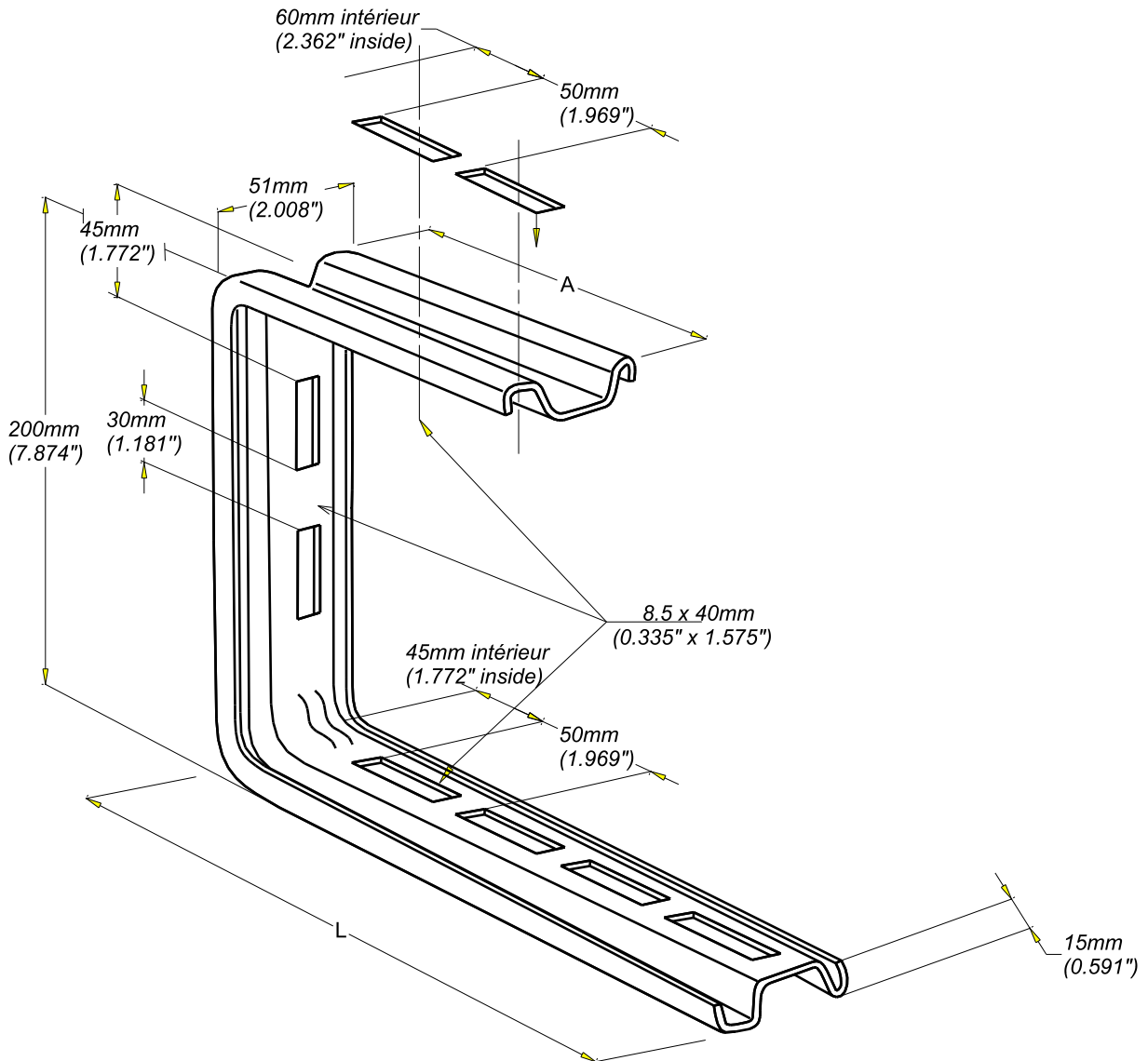
# CONSOLE CSC CSC BRACKET

316L  
316L

**legrand** | CABLE  
MANAGEMENT

FT0163-4

03 / 16



REF	CODE	POIDS / WEIGHT		L / L		A / A		Ep./Th.		NORME / STANDARD
		(Kg)	(lb)	(mm)	(inch)	(mm)	(inch)	(mm)	(inch)	
CSC 100	002 764	0.360	0.794	168	6.62	131	5.16	1.5	0.06	MATIERE / MATERIAL X2 Cr Ni Mo 17-12-2 PROTECTION / COATING 316L
CSC 200	002 774	0.620	1.367	260	10.24	180	7.08	2	0.08	
CSC 300	002 784	0.900	1.984	360	14.17	230	9.05	2.5	0.1	

Propriété exclusive de LEGRAND, ne peut être ni copié, ni transmis à des tiers sans autorisation écrite.  
Exclusive property of LEGRAND, shouldn't be reproduced or transmitted to any people without written authorization.