

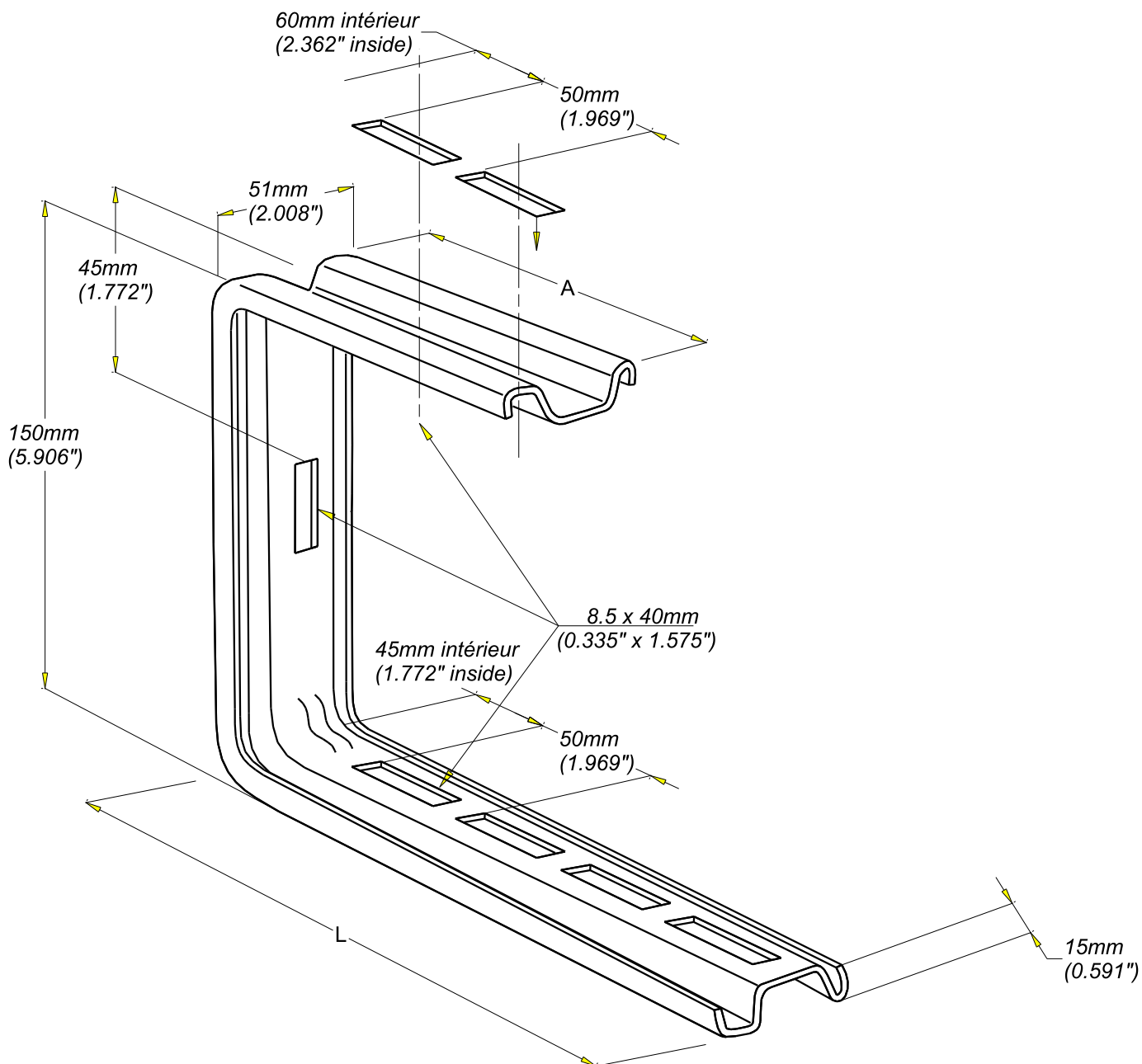
# CONSOLE CSCC CSCC BRACKET

GS  
PG

**legrand** | CABLE  
MANAGEMENT

FT0159-0

03 / 16



| REF     | CODE    | POIDS / WEIGHT |       | L / L |        | A / A |        | Ep. / Th. |        |
|---------|---------|----------------|-------|-------|--------|-------|--------|-----------|--------|
|         |         | (Kg)           | (lb)  | (mm)  | (inch) | (mm)  | (inch) | (mm)      | (inch) |
| CSCC100 | 012 760 | 0.300          | 0.660 | 168   | 9.57   | 130   | 5.11   | 1.5       | 0.06   |
| CSCC200 | 012 770 | 0.560          | 1.240 | 260   | 12.71  | 180   | 7.08   | 2         | 0.08   |
| CSCC300 | 012 780 | 0.840          | 1.850 | 360   | 14.29  | 230   | 9.05   | 2.5       | 0.1    |

| Matière / Material | Norme / Standard |
|--------------------|------------------|
| DX51 D Z275 MAC    | EN 10346         |