

Cornière de séparation COT 30-50-75-100

GC



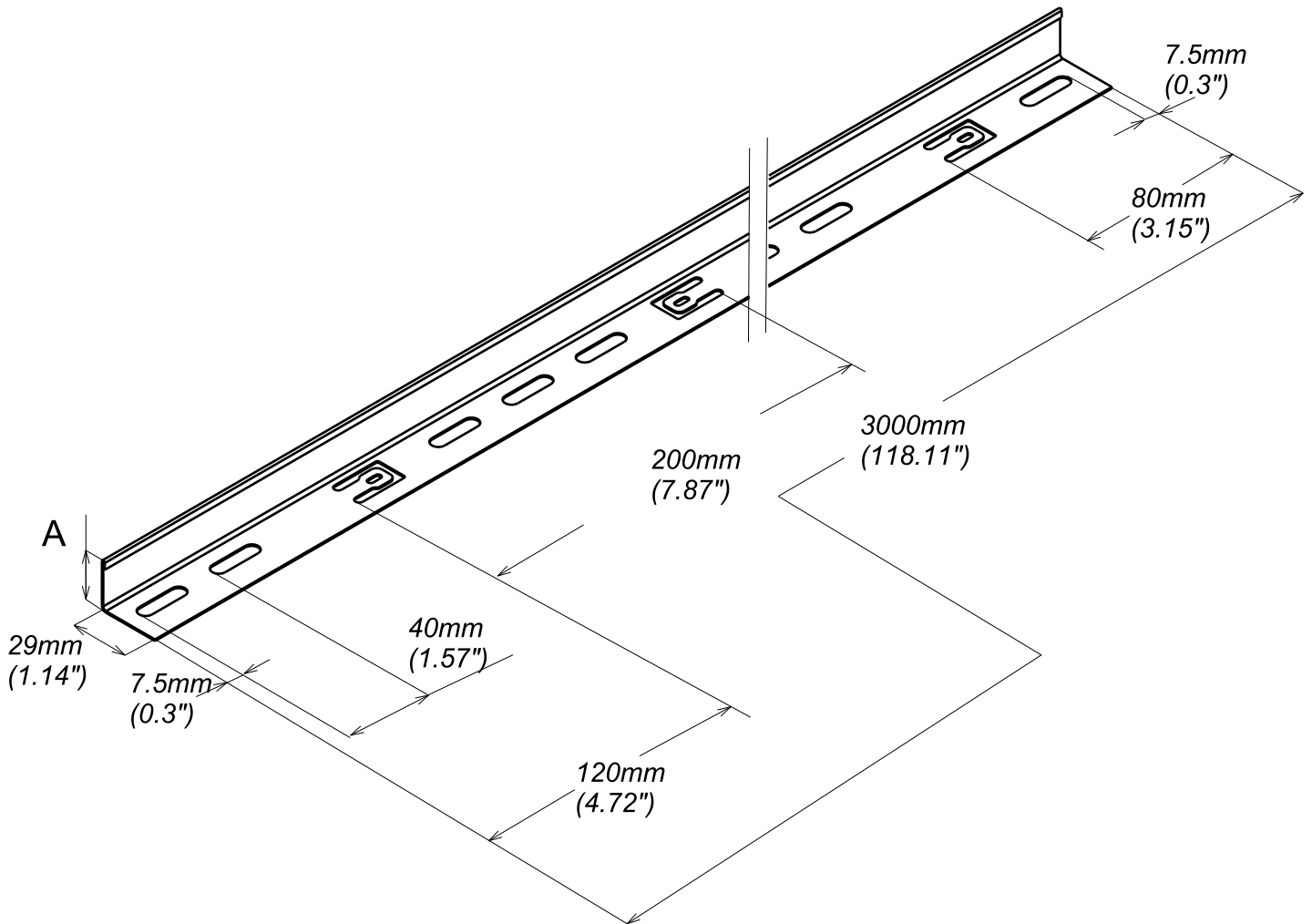
CABLE
MANAGEMENT

Cot divider angle COT 30-50-75-100

HDG

FT0156-3

03 / 16



REF	CODE	POIDS / WEIGHT <small>(Kg/lb)</small>		A (mm)	A (inch)
COT 30	923 013	1.130	2.491	24	0.94
COT 50	923 023	1.670	3.681	48	1.89
COT 75	923 033	2.210	4.872	72	2.83
COT 100	923 043	2.750	6.062	96	3.77

EPAISSEUR / THICKNESS 0.8 / 0.031"	NORMES / STANDARD
MATIERE / MATERIAL DC 01 Am	EN 10 130
PROTECTION / COATING GC / HDG	EN ISO 1461