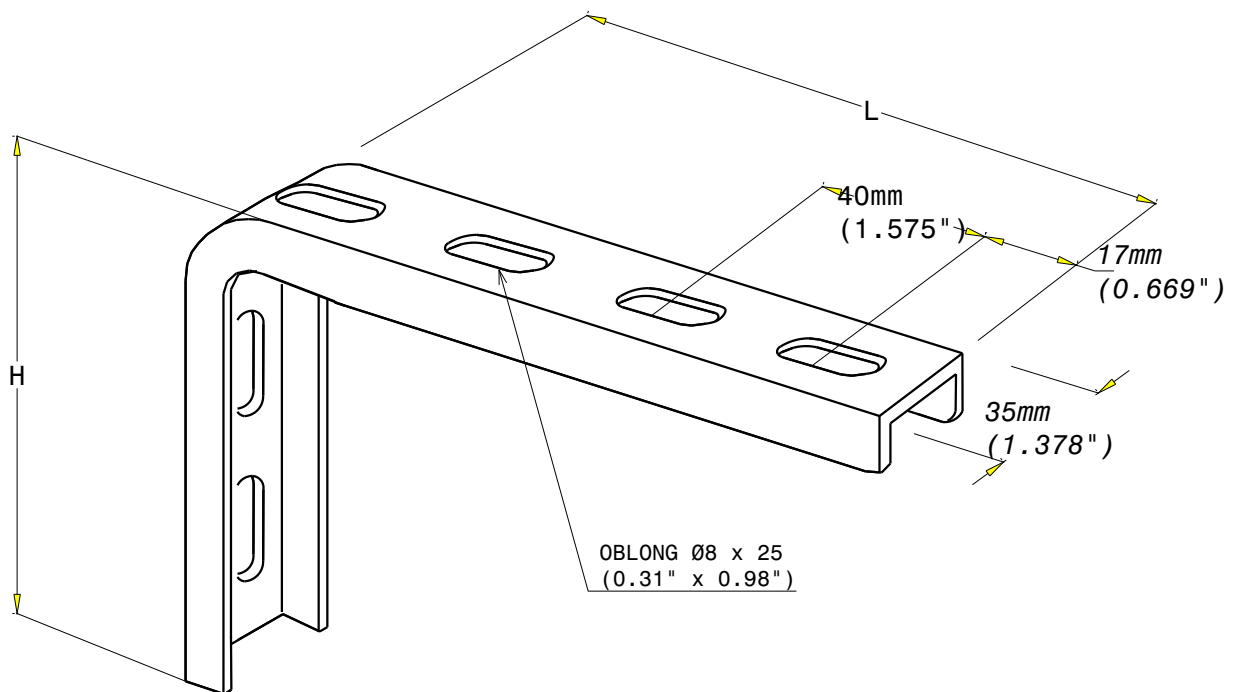


**CONSOLE CL
CL BRACKET**

**GS
PG**

legrand® | **CABLE
MANAGEMENT**

FT0155-0 08/13



REF	CODE	POIDS (kg)	WEIGHT (lb)	L (mm)	L (inch)	H (mm)	H (inch)
CL 150	522 140	0.170	0.370	167	6.57	83	3.27
CL 200	557 280	0.230	0.510	247	9.72	83	3.27
CL 250	522 142	0.300	0.660	203	7.99	243	9.56
CL 300	557 290	0.280	0.620	327	12.90	123	4.84
CL 350	522 144	0.450	0.990	283	11.14	363	14.29

EPAISSEUR / THICKNESS 1.8 (0.07")	NORMES / STANDARD
MATIERE / MATERIAL DX51 D Z275 MAC	EN 10327
PROTECTION / COATING GS / PG	EN 10327

Propriété exclusive de LEGRAND, ne peut être ni copié, ni transmis à des tiers sans autorisation écrite.

Exclusive property of LEGRAND shouldn't be reproduced or transmitted to any people without written authorization