

ECROU HM
HM NUT

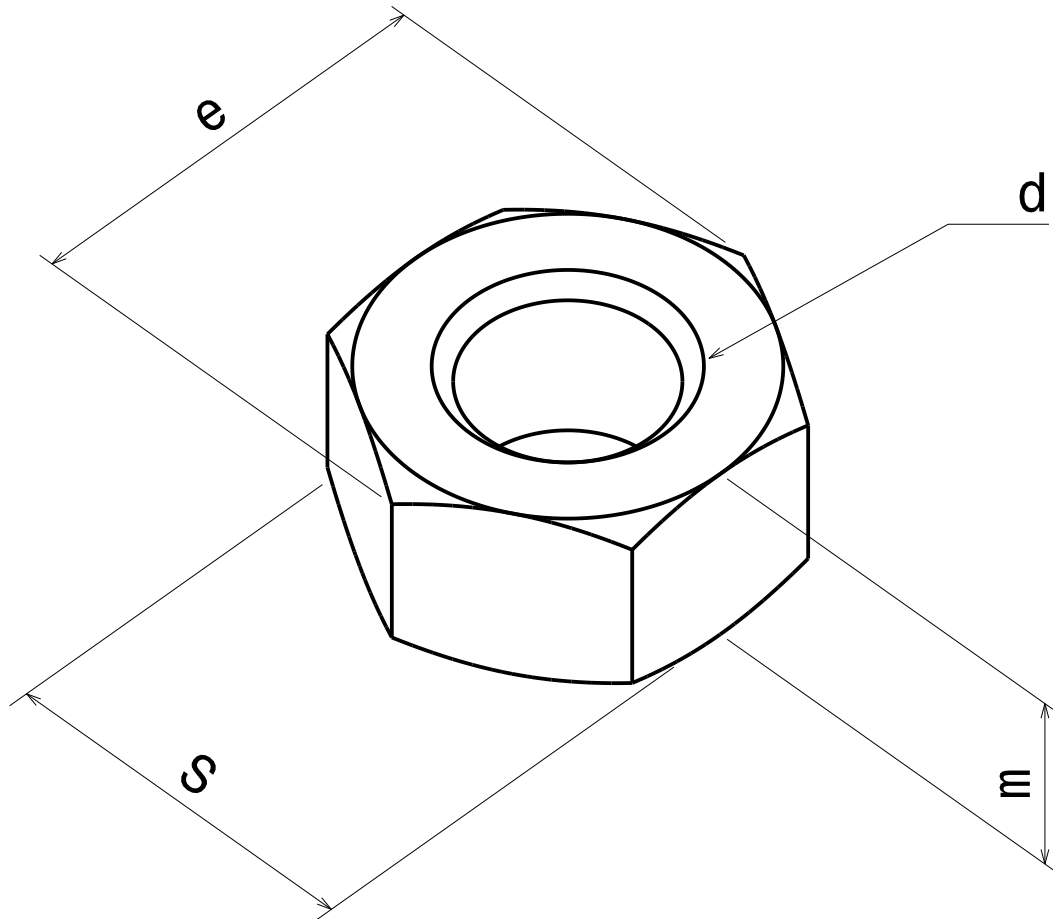
316L



CABLE
MANAGEMENT

FT0146-4

04/15



CLASS	Standard
A4	ISO 3506-1
Coating	Standard
-	-

COLISAGE / PACKING	REF	CODE	POIDS / WEIGHT		d	e (min)		S		m (max)	
			(Kg)	(lb)		(mm)	(inch)	(mm)	(inch)	(mm)	(inch)
100	EHM8	801614	0.560	0.254	M8	14.4	0.567"	13	0.512"	6.5	0.256"
100	EHM10	801624	1.200	0.544	M10	18.9	0.744"	17	0.669"	8	0.315"
100	EHM12	801634	1.790	0.812	M12	21.1	0.831"	19	0.748"	10	0.394"

Propriété exclusive de LEGRAND, ne peut être ni copié, ni transmis à des tiers sans autorisation écrite.

Exclusive property of LEGRAND shouldn't be reproduced or transmitted to any people without written authorization