

ECROU A EMBASE CRANTEE EEC
EEC COLLAR NUT

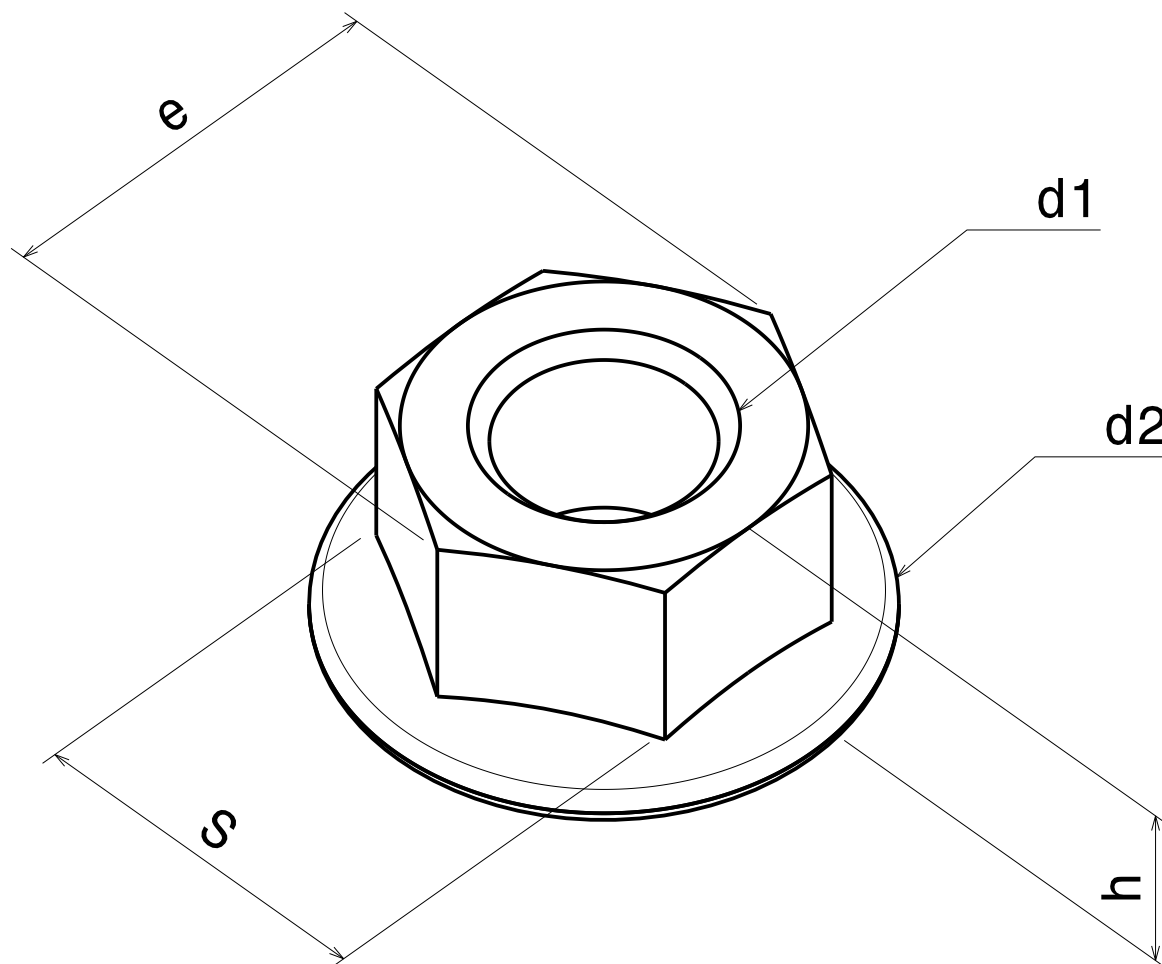
EZ



CABLE
MANAGEMENT

FT0142-2

04-18



CLASS	Standard
8	ISO 898-2
Coating	Standard
Fe/Zn12/A	EN ISO 2081

COLISAGE / PACKING	REF	CODE	POIDS / WEIGHT		d1	d2	e (min)		S		h (max)	
			(Kg)	(lb)			(mm)	(inch)	(mm)	(inch)	(mm)	(inch)
100	EEC6	801201	0.380	0.838	M6	14.2	11.1	0.437"	10	0.394"	6	0.236"
100	EEC8	801211	0.800	1.764	M8	18	14.4	0.567"	13	0.512"	8	0.315"
100	EEC10	801221	1.320	2.910	M10	22	18.9	0.744"	17	0.669"	10	0.394"
100	EEC12	801231	2.220	4.894	M12	26	20.03	0.789"	18	0.709"	12	0.472"

Propriété exclusive de LEGRAND, ne peut être ni copié, ni transmis à des tiers sans autorisation écrite.

Exclusive property of LEGRAND shouldn't be reproduced or transmitted to any people without written authorization