

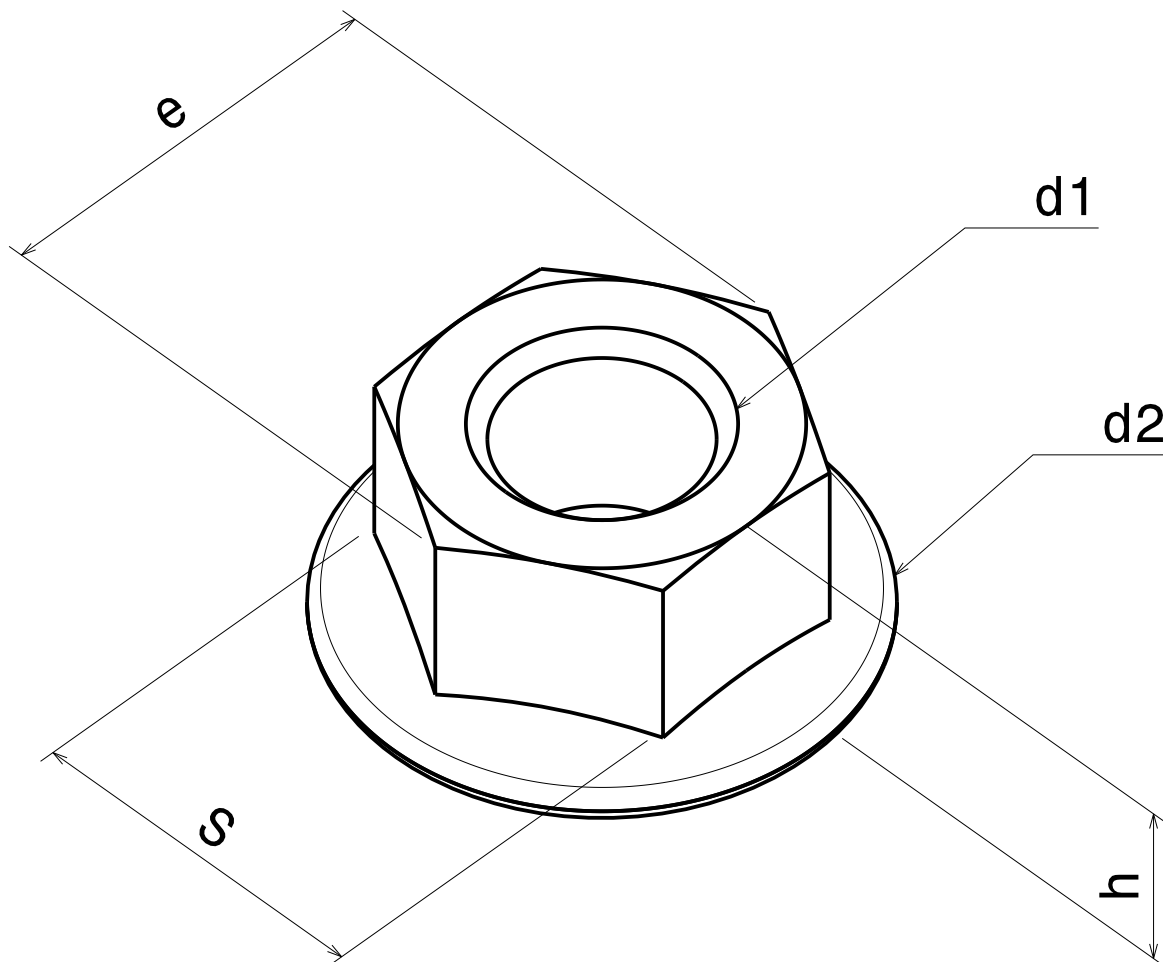
ECROU A EMBASE CRANTEE EEC  
EEC COLLAR NUT

DC

 CABLE  
MANAGEMENT

FT0142-0

07-17



<b>CLASS</b>	<b>Standard</b>
8	ISO 898-2
<b>Finition Coating</b>	<b>Standard</b>
Zinc Lamellaire / Zinc Rich Coating	Class 6 according to CEI 61537

COLISAGE / PACKING	REF	CODE	POIDS / WEIGHT		d1	d2	e (min)		S		h (max)	
			(Kg)	(lb)			(mm)	(inch)	(mm)	(inch)	(mm)	(inch)
100	EEC6	801203	0.380	0.838	M6	14.2	11.1	0.437"	10	0.394"	6	0.236"
100	EEC8	801213	0.800	1.764	M8	18	14.4	0.567"	13	0.512"	8	0.315"
100	EEC10	801223	1.320	2.910	M10	22	18.9	0.744"	17	0.669"	10	0.394"

Propriété exclusive de LEGRAND, ne peut être ni copié, ni transmis à des tiers sans autorisation écrite.

Exclusive property of LEGRAND shouldn't be reproduced or transmitted to any people without written authorization