

ECROU A EMBASE CRANTEE EEC
EEC COLLAR NUT

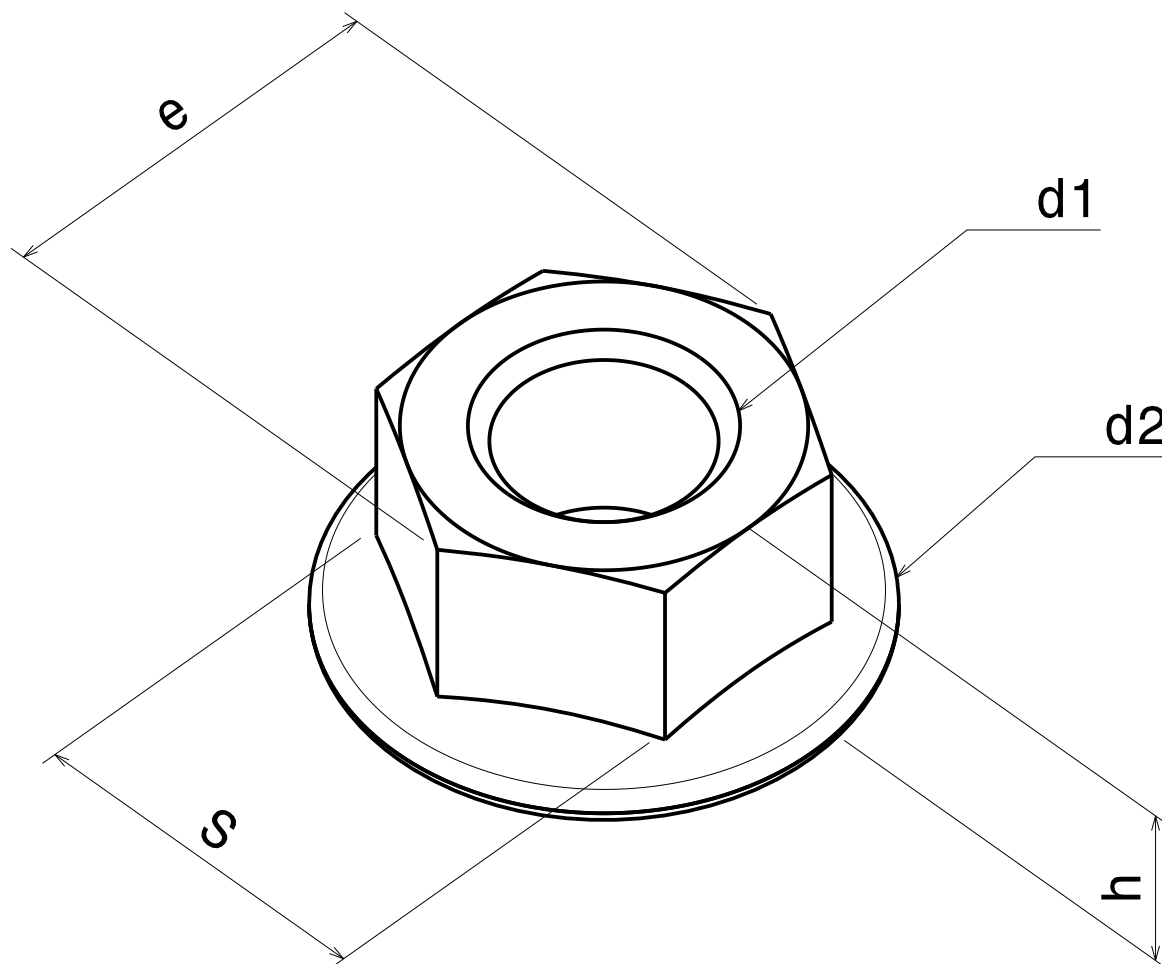
316L



CABLE
MANAGEMENT

FT0142-5

07-17



CLASS	Standard
A470	ISO 3506-2
Coating	Standard
-	-

COLISAGE / PACKING	REF	CODE	POIDS / WEIGHT		d1	d2	e (min)		S		h (max)	
			(Kg)	(lb)			(mm)	(inch)	(mm)	(inch)	(mm)	(inch)
100	EEC6	801204	0.380	0.838	M6	14.2	11.1	0.437"	10	0.394"	6	0.236"
100	EEC10	801224	1.320	2.910	M10	22	18.9	0.744"	17	0.669"	10	0.394"

Propriété exclusive de LEGRAND, ne peut être ni copié, ni transmis à des tiers sans autorisation écrite.

Exclusive property of LEGRAND shouldn't be reproduced or transmitted to any people without written authorization