

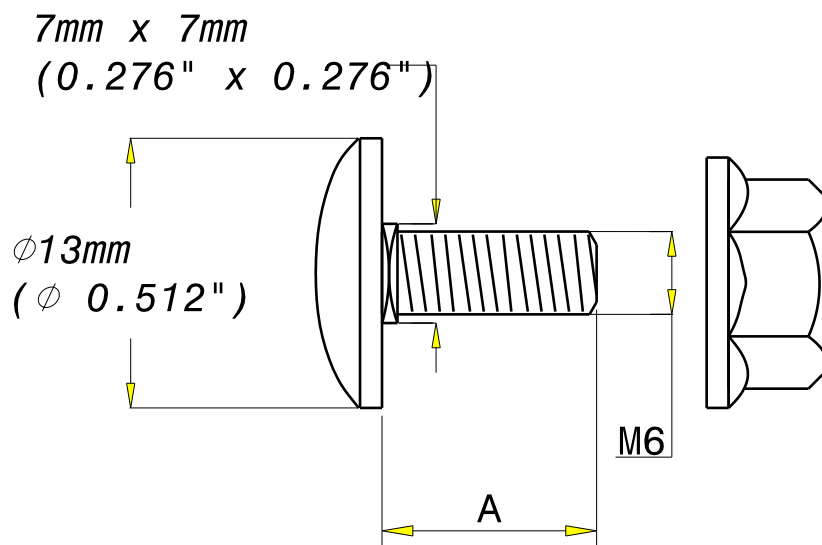
**BOULON TRCC**  
**TRCC BOLT**

**EZ**

**legrand®** | CABLE  
MANAGEMENT

FT0137-1

02-16



REF	CODE	A <sub>(mm)</sub>	A <sub>(inch)</sub>	POIDS (Kg/100u)	WEIGHT (lb/100u)
TRCC6/12	801 001	12	0.47	Ø. 810	1.788
TRCC6/20	801 011	20	0.79	Ø. 950	2.097
TRCC6/30	801 021	30	1.18	1. 100	2.428

MATIERE / MATERIAL  
CC 20

PROTECTION / COATING  
Fe / Zn 12 / A

NORMES / STANDARD

NFE 35 551

NF EN 12 329