

PENDARD P41S
P41S HANGER

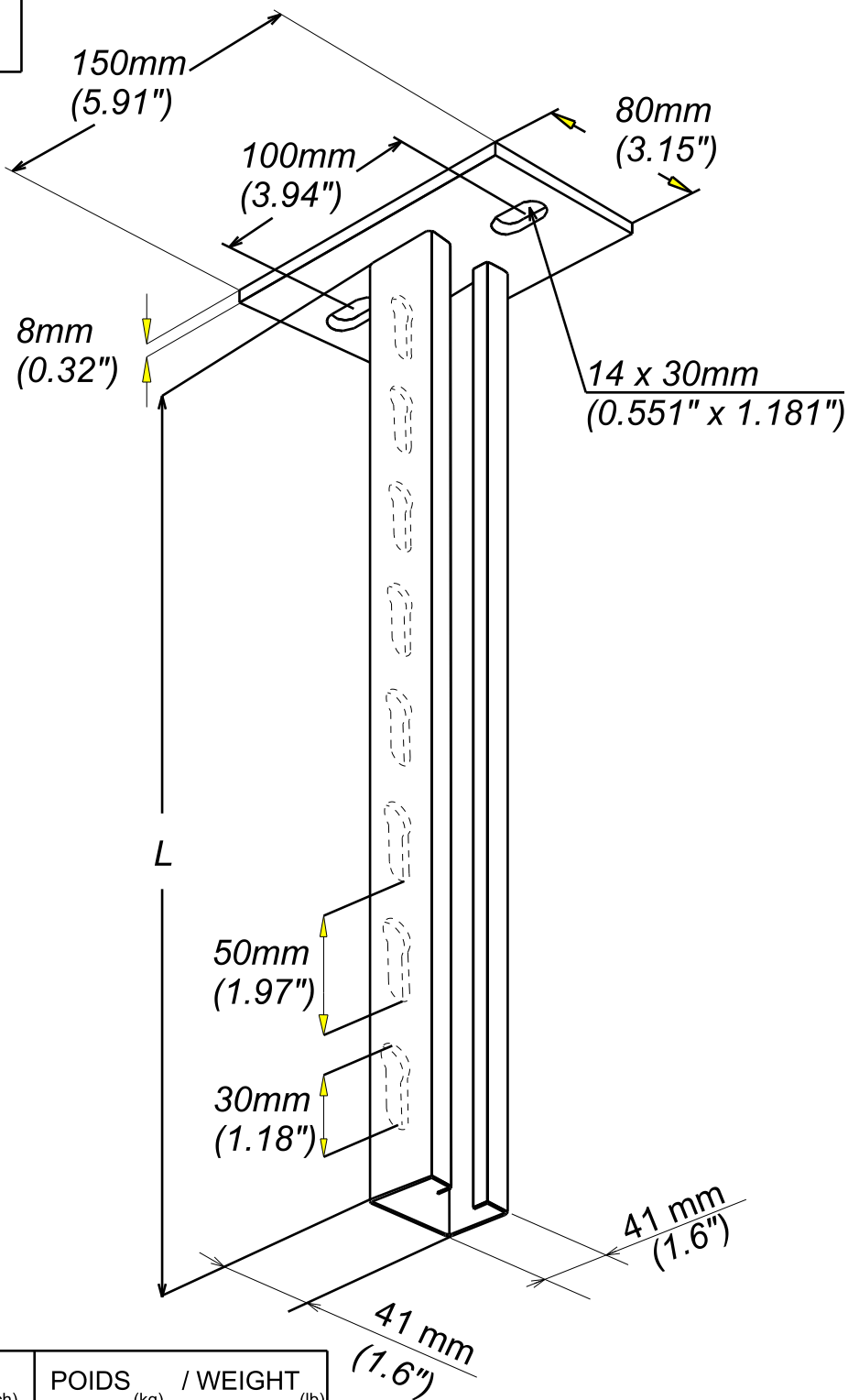
INOX 316L



CABLE
MANAGEMENT

FT00131-4

03 17



REF	CODE	L (mm)	L (inch)	POIDS (kg)	WEIGHT (lb)
P41S 500	595 104	500	19.685	1.950	4.300
P41S 800	595 114	800	31.496	2.840	6.260
P41S 1000	595 124	1000	39.370	3.380	7.450
P41S 1500	595 134	1500	59.055	4.780	10.540
P41S 2000	595 144	2000	78.740	6.080	13.400

Material	Standard
X2 CrNiMo 17-12-2	EN 10088-2

EPAISSEUR / THICKNESS
2.0 / 0.08"