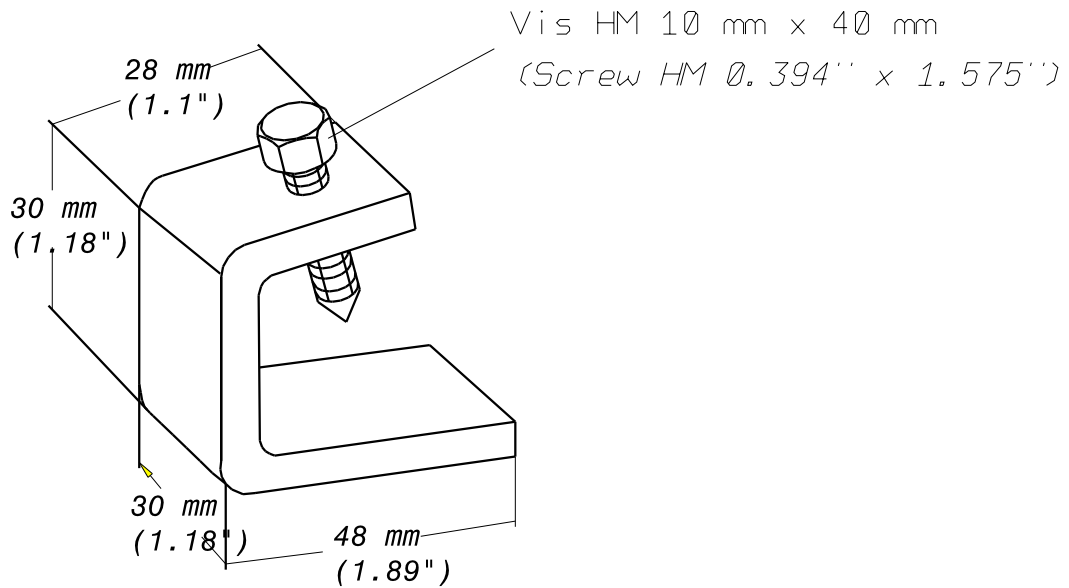
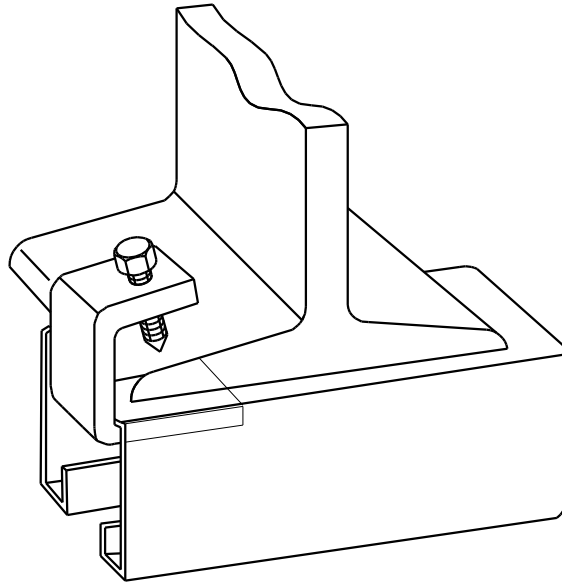


CRAPAUD CLMP3
CLAMP CLMP3

GC
HDG

legrand® | **CABLE MANAGEMENT**

FT0128-3 | **08 12**



| REF | CODE | POIDS (Kg) | WEIGHT (lb) |
|-------|---------|------------|-------------|
| CLMP3 | 559 073 | 0.180 | 0.397 |

| | |
|---|-------------------|
| EPAISSEUR / THICKNESS 6 (0.24") | NORMES / STANDARD |
| MATIERE / MATERIAL S235 JR | EN 10025-2 |
| PROTECTION / COATING Galva à chaud / HDG | NF EN ISO 1461 |