

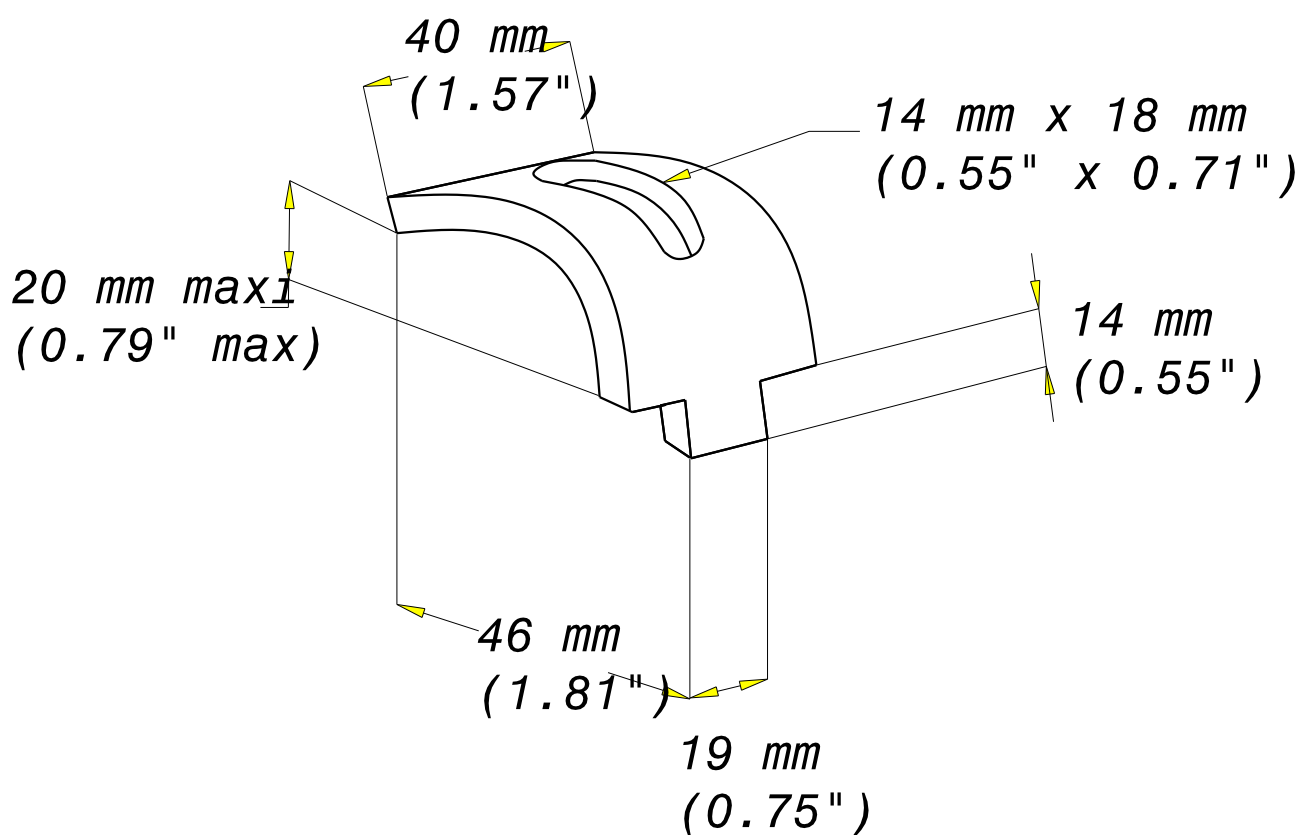
CRAPAUD CLMP2
CLAMP CLMP2

INOX 316L

legrand® | CABLE
MANAGEMENT

FT0127-4

08 12



| REF | CODE | POIDS (Kg) | WEIGHT (lb) |
|-------|---------|------------|-------------|
| CLMP2 | 559 014 | 0.120 | 0.265 |

| | |
|---|-------------------|
| EPAISSEUR / THICKNESS 6 (0.24") | NORMES / STANDARD |
| MATIERE / MATERIAL X2 Cr Ni Mo 17-12-2 | EN 10088-2 |
| PROTECTION / COATING INOX 316 L | |

Propriété exclusive de LEGRAND, ne peut être ni copié, ni transmis à des tiers sans autorisation écrite.
Exclusive property of LEGRAND shouldn't be reproduced or transmitted to any people without written authorization