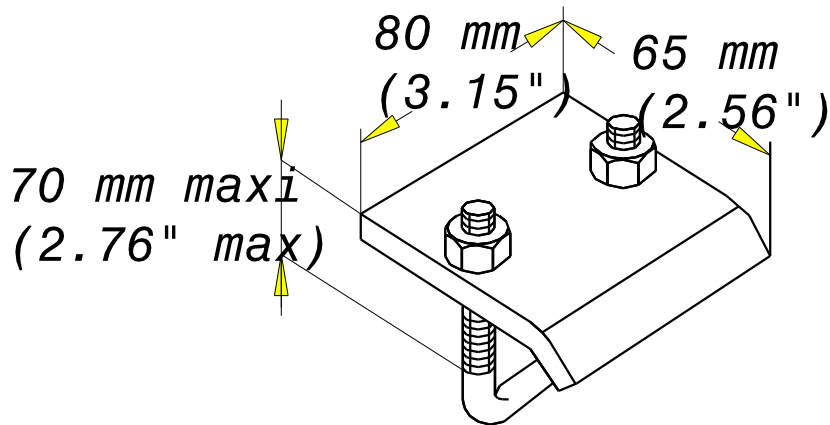
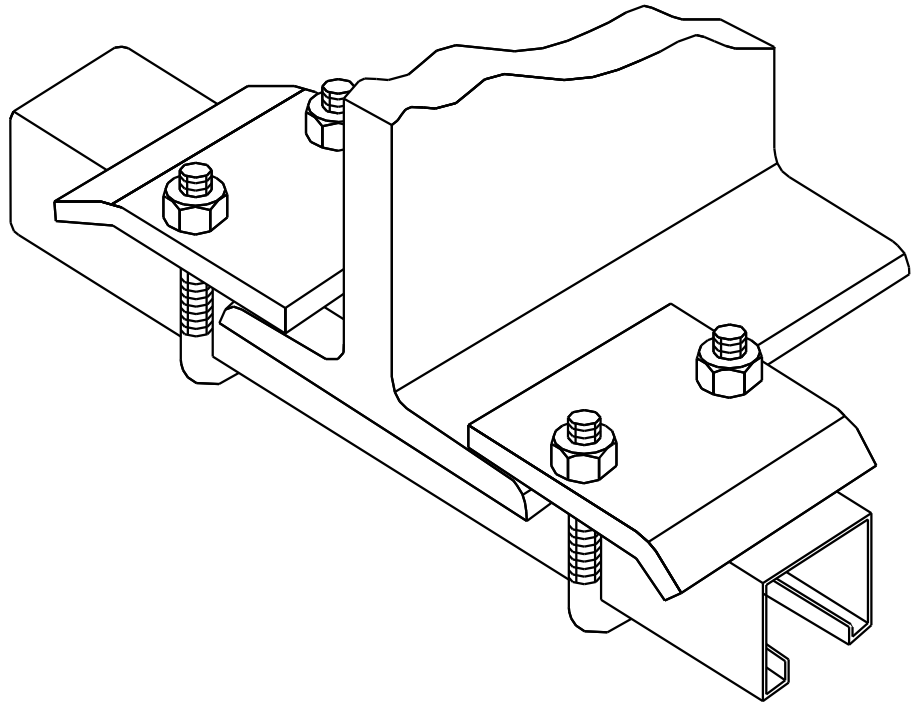


CRAPAUD CLMP1 A ETRIER
CLAMP CLMP1 WITH U BOLT

HDG

legrand® | CABLE MANAGEMENT

FT0126-3 | 12-15



Material	Standard
S 235 JR	EN 10025-2
CB35	Class 8
Coating	Standard
HDG	EN ISO 1461
GEOMET	Class 6 according to CEI 61537

REF	CODE	POIDS / WEIGHT		FINISHING INTERNAL NAME	EPAISSEUR / THICKNESS	
		(Kg)	(lb)		(mm)	(inch)
CLMP1	559 023	0.436	0.198	HDG	-	-
PLATE	-	0.302	0.137	HDG	6	0.236
STIRRUP	-	0.110	0.050	GEOMET	ø10	0.393
NUT	-	0.0125	0.006	GEOMET	M10	

Propriété exclusive de LEGRAND, ne peut être ni copié, ni transmis à des tiers sans autorisation écrite.

Exclusive property of LEGRAND shouldn't be reproduced or transmitted to any people without written authorization