

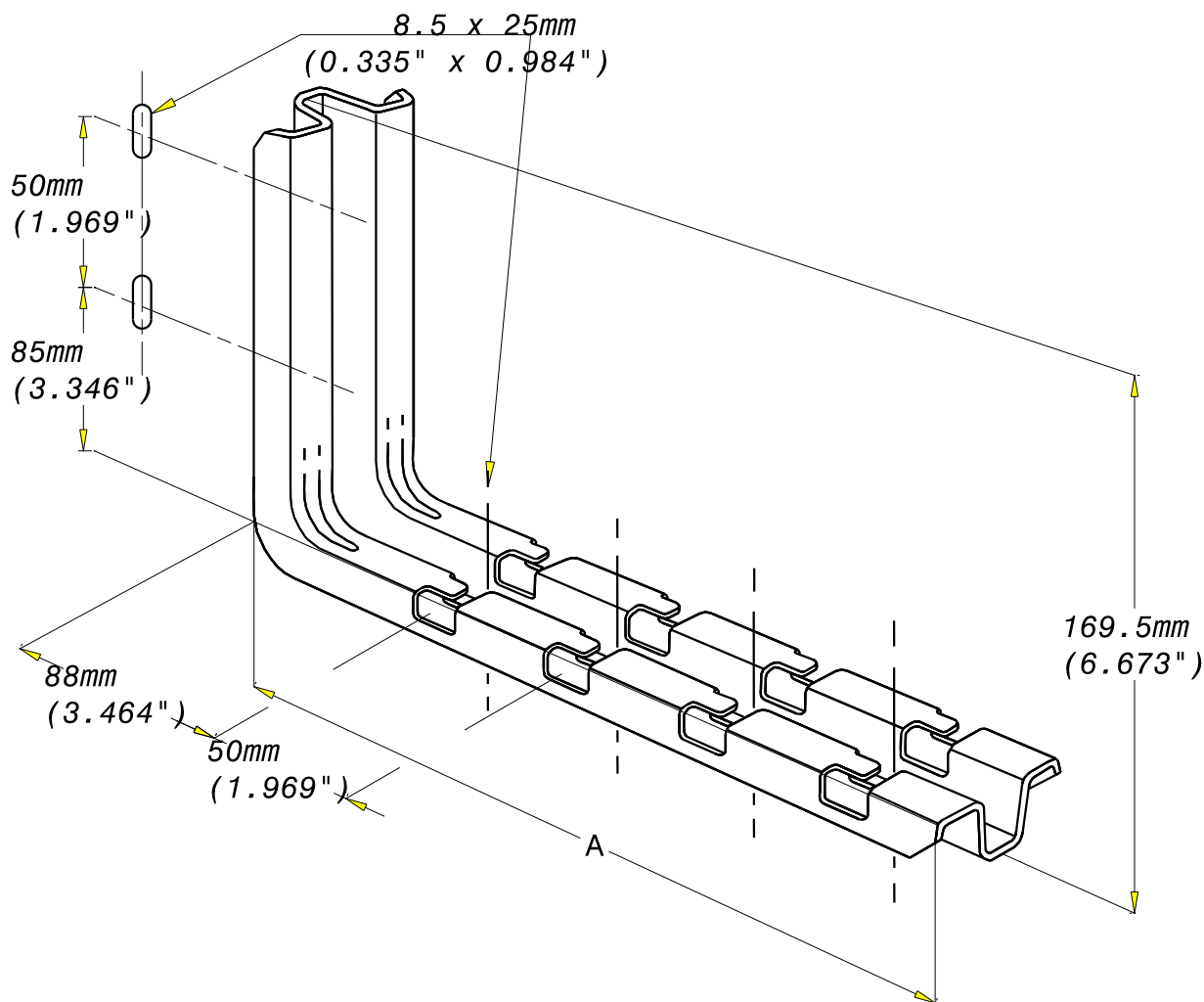
CONSOLE CSN 100 à 400 INOX 316L

CSN BRACKET 100 to 400

legrand | CABLE MANAGEMENT

FT0099-4

04-16



REF	CODE	POIDS (kg)	WEIGHT (lb)	h (mm)	A (inch)	Epais. / Th.
CSN-100	556 104	0.390	0.860	178.5	7.03	1.50.06
CSN-150	556 114	0.460	1.010	228.5	9.00	1.50.06
CSN-200	556 124	0.520	1.150	278.5	10.96	1.50.06
CSN-300	556 134	0.640	1.410	378.5	14.90	1.50.06
CSN-400	556 144	0.700	1.540	478.5	18.84	1.750.07

MATIERE / MATERIAL	EN 10088-2
PROTECTION / COATING	INOX 316 L

Propriété exclusive de LEGRAND, ne peut être ni copié, ni transmis à des tiers sans autorisation écrite.
 Exclusive property of LEGRAND shouldn't be reproduced or transmitted to any people without written authorization