

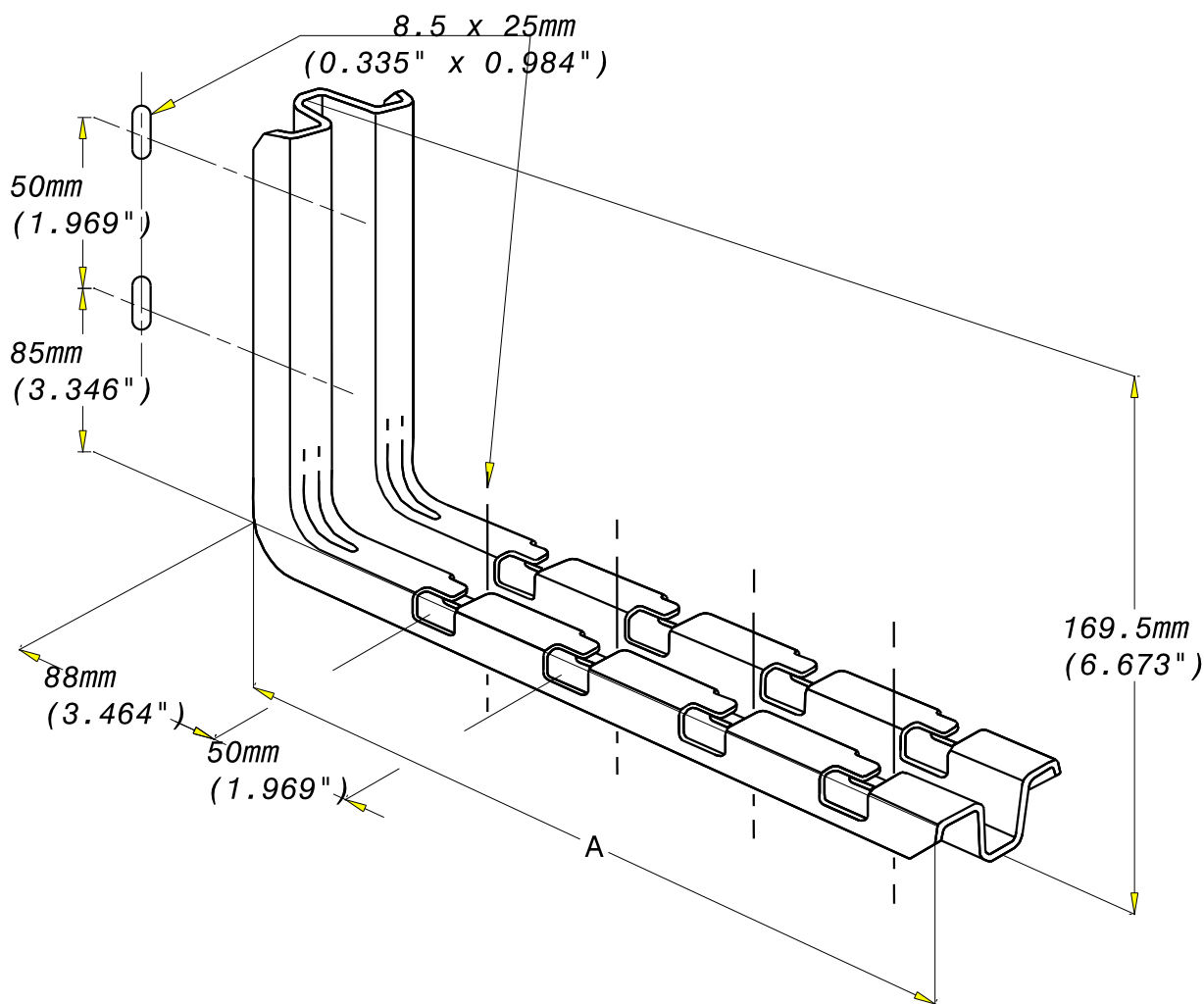
CONSOLE CSN 100 à 400
CSN BRACKET 100 to 400

GS
PREGALV.

legrand | CABLE
MANAGEMENT

FT0099-0

04-16



REF	CODE	POIDS (Kg)	WEIGHT (lb)	HA (mm)	HA (inch)	Epais. /Th.
CSN-100	556 100	0.390	0.860	178.5	7.03	1.50.06
CSN-150	556 110	0.460	1.020	228.5	9.00	1.50.06
CSN-200	556 120	0.520	1.150	278.5	10.96	1.50.06
CSN-300	556 130	0.640	1.410	378.5	14.90	1.50.06
CSN-400	556 140	0.820	1.810	478.5	18.84	1.750.07

MATIERE / MATERIAL DX 51 D Z275 MAC	EN 10327
PROTECTION / COATING GS / PREGALV.	EN 10327

Propriété exclusive de LEGRAND, ne peut être ni copié, ni transmis à des tiers sans autorisation écrite.
Exclusive property of LEGRAND shouldn't be reproduced or transmitted to any people without written authorization