

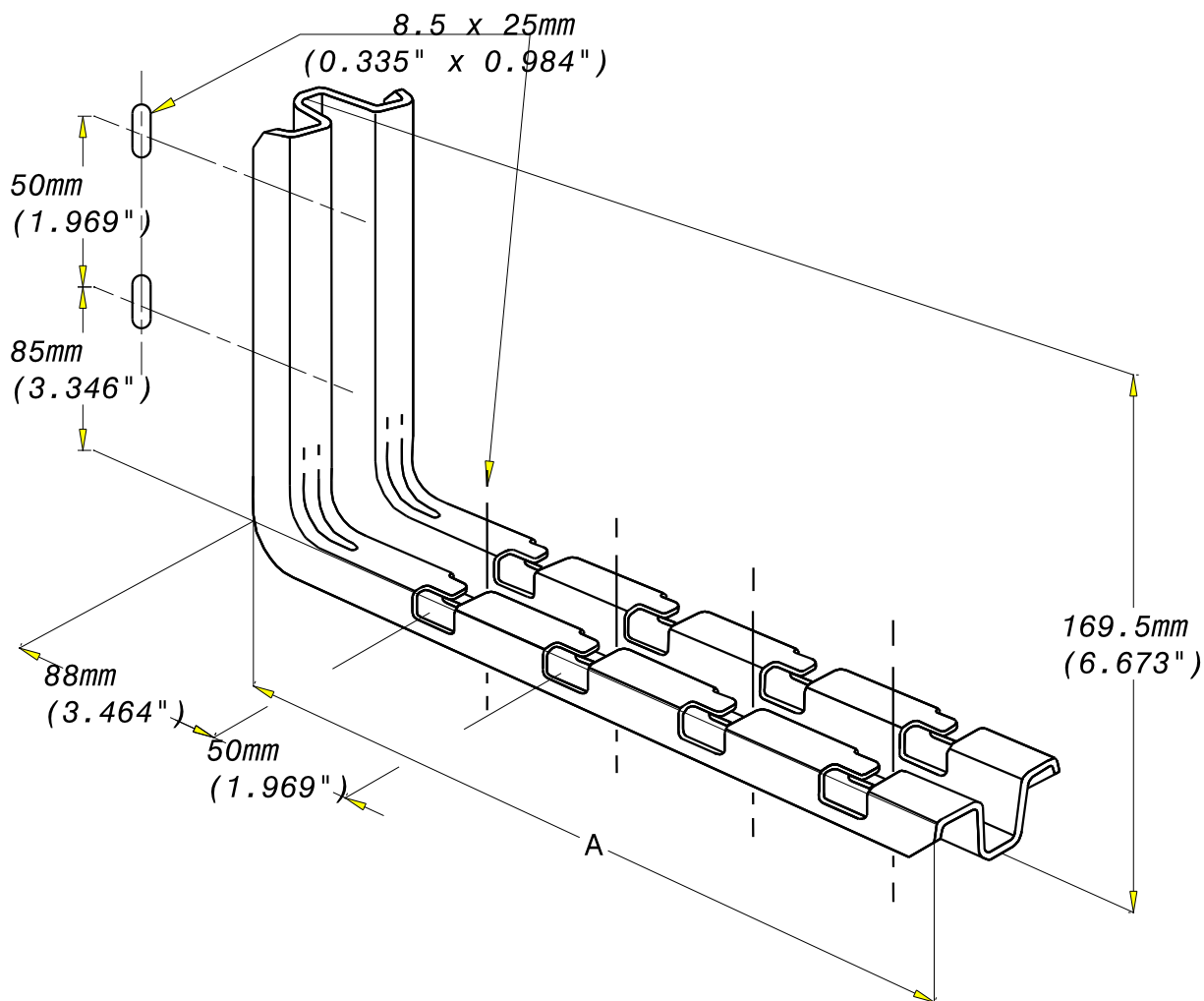
CONSOLE CSN 100 à 400
CSN BRACKET 100 to 400

GC
HDG

legrand | CABLE
MANAGEMENT

FT0099-3

04-16



REF	CODE	POIDS (kg)	WEIGHT (lb)	A (mm)	A (inch)	Epais. (mm)	Th. (inch)
CSN-100	556 103	0.430	0.950	178.5	7.03	1.50	0.06
CSN-150	556 113	0.500	1.100	228.5	9.00	1.50	0.06
CSN-200	556 123	0.570	1.260	278.5	10.96	1.50	0.06
CSN-300	556 133	0.700	1.550	378.5	14.90	1.50	0.06
CSN-400	556 143	0.880	1.940	478.5	18.84	1.75	0.07

MATIERE / MATERIAL S 235 JR FN KPN	EN 10025
PROTECTION / COATING Galva à chaud / HDG	NF EN ISO 1461