

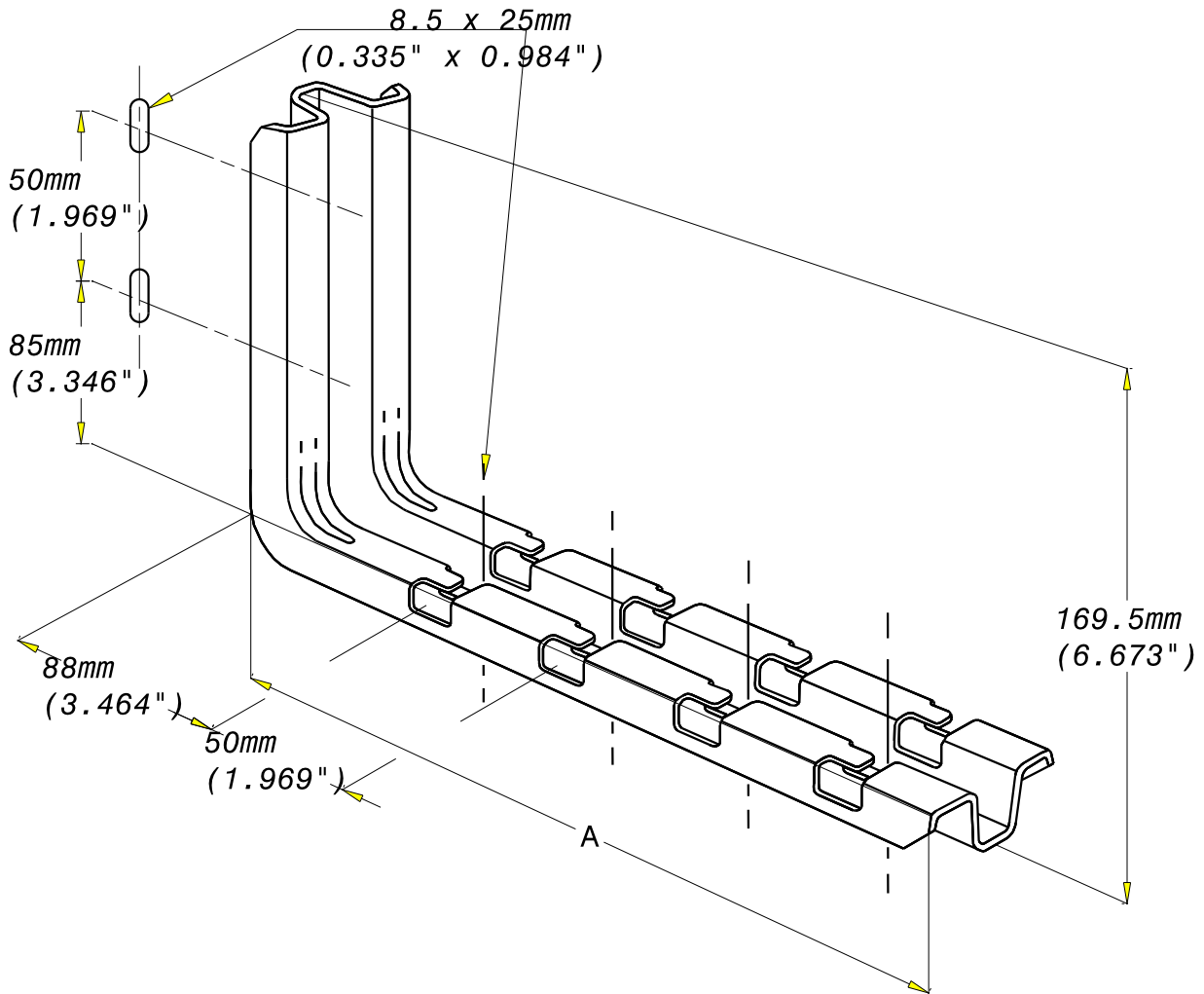
CONSOLE CSN 100 à 300 INOX 304L

CSN BRACKET 100 to 300

legrand | CABLE MANAGEMENT

FT0099-8

04-16



REF	CODE	POIDS (Kg)	WEIGHT (lb)	A (mm)	A (inch)	Epais. (mm)	Th. (inch)
CSN-100	556 108	0.380	0.840	178.5	7.03	1.5	0.06
CSN-150	556 118	0.410	0.900	228.5	9.00	1.5	0.06
CSN-200	556 128	0.510	1.120	278.5	10.96	1.5	0.06
CSN-300	556 138	0.610	1.340	378.5	14.90	1.5	0.06

MATIERE / MATERIAL X2 Cr Ni 18-9	EN 10088-2
PROTECTION / COATING INOX 304L	

Propriété exclusive de LEGRAND, ne peut être ni copié, ni transmis à des tiers sans autorisation écrite.
Exclusive property of LEGRAND shouldn't be reproduced or transmitted to any people without written authorization