

ATTACHE DE SUSPENSION SAS
SAS SUSPENSION ATTACHEMENT

DC

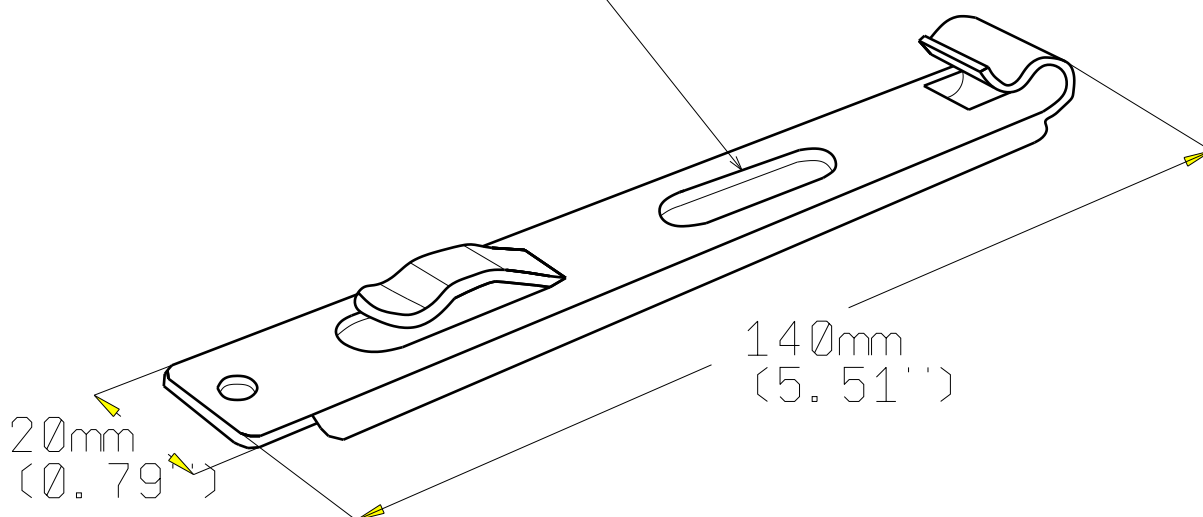
 legrand®

CABLE
MANAGEMENT

FT0086-7

04-16

8 X 30mm
(0.31'' x 1.18'')



REF	CODE	POIDS (kg)	WEIGHT (lb)
SAS	586 037	0.040	0.088

EPAISSEUR / THICKNESS 1.5 (0.06'')	NORMES / STANDARD
MATIERE / MATERIAL S235 JR FN KPN	EN 10 025-2
PROTECTION / COATING Zinc Lamellaire / Zinc Flake	Class 6 according to CEI 61537

Propriété exclusive de LEGRAND, ne peut être ni copié, ni transmis à des tiers sans autorisation écrite.
Exclusive property of LEGRAND shouldn't be reproduced or transmitted to any people without written authorization