

PCF54

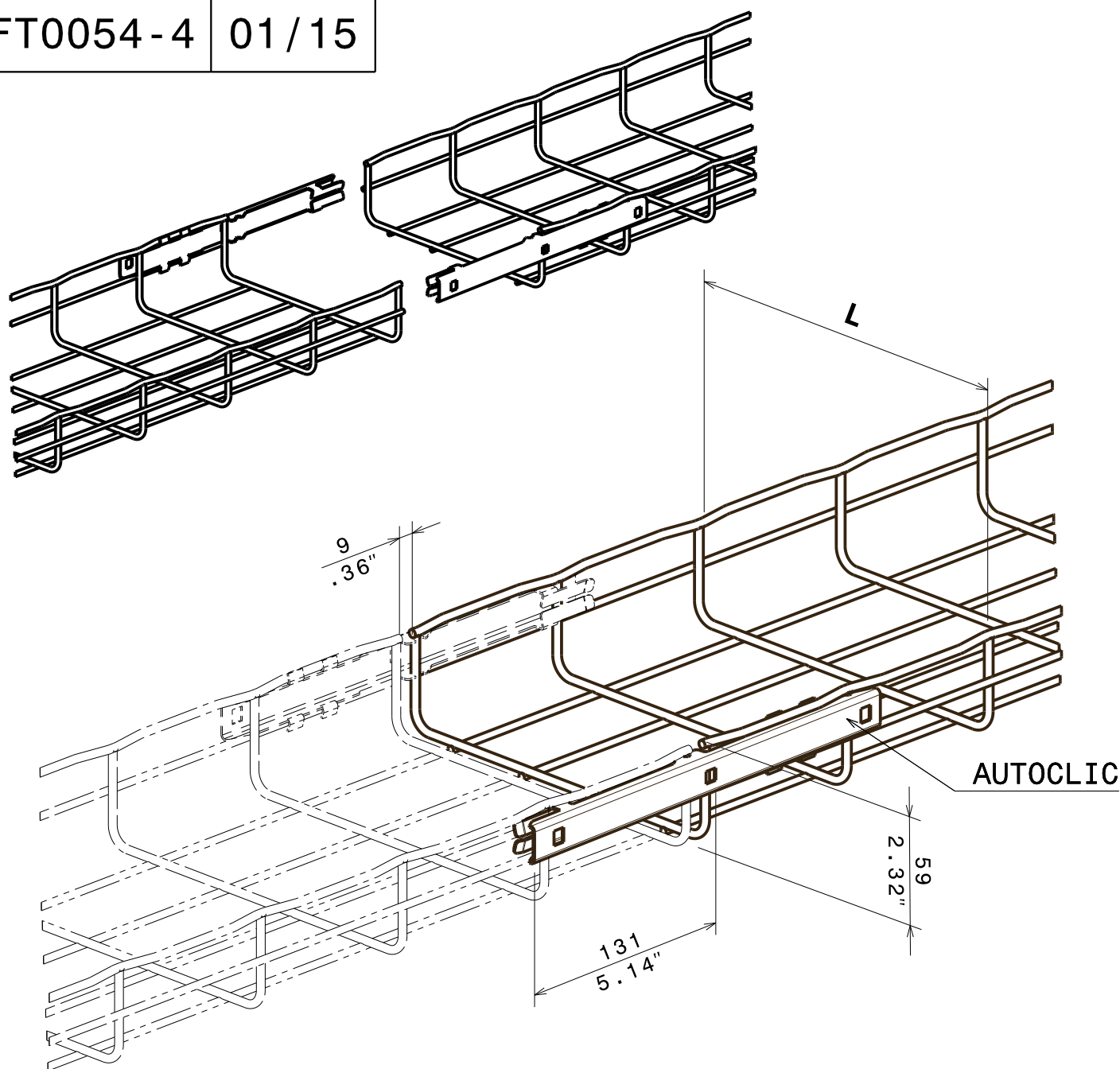
INOX 316L



CABLE MANAGEMENT

FT0054-4

01/15



REF	CODE	POIDS (Kg/m)	WEIGHT (lb/ft)	L (mm)	L (inch)
PCF54/50	080 064	0.580	0.385	50	1.967
PCF54/100	080 074	0.720	0.480	100	3.937
PCF54/150	080 084	0.860	0.570	150	5.904
PCF54/200	080 094	1.120	0.745	200	7.872
PCF54/300	080 104	1.570	1.045	300	11.81
PCF54/400	080 204	2.250	1.500	400	15.75
PCF54/500	080 304	2.560	1.705	500	19.69
PCF54/600	080 404	3.140	2.090	600	23.64

NORMES / STANDARD

AUTOCLIC X2 Cr Ni Mo 17-12-2	EN 10088-2
---------------------------------	------------

CABLOFIL X2 Cr Ni Mo 17-12-2	EN 10088-2
---------------------------------	------------

Propriété exclusive de LEGRAND, ne peut être ni copié, ni transmis à des tiers sans autorisation écrite.

Exclusive property of LEGRAND shouldn't be reproduced or transmitted to any people without written authorization