

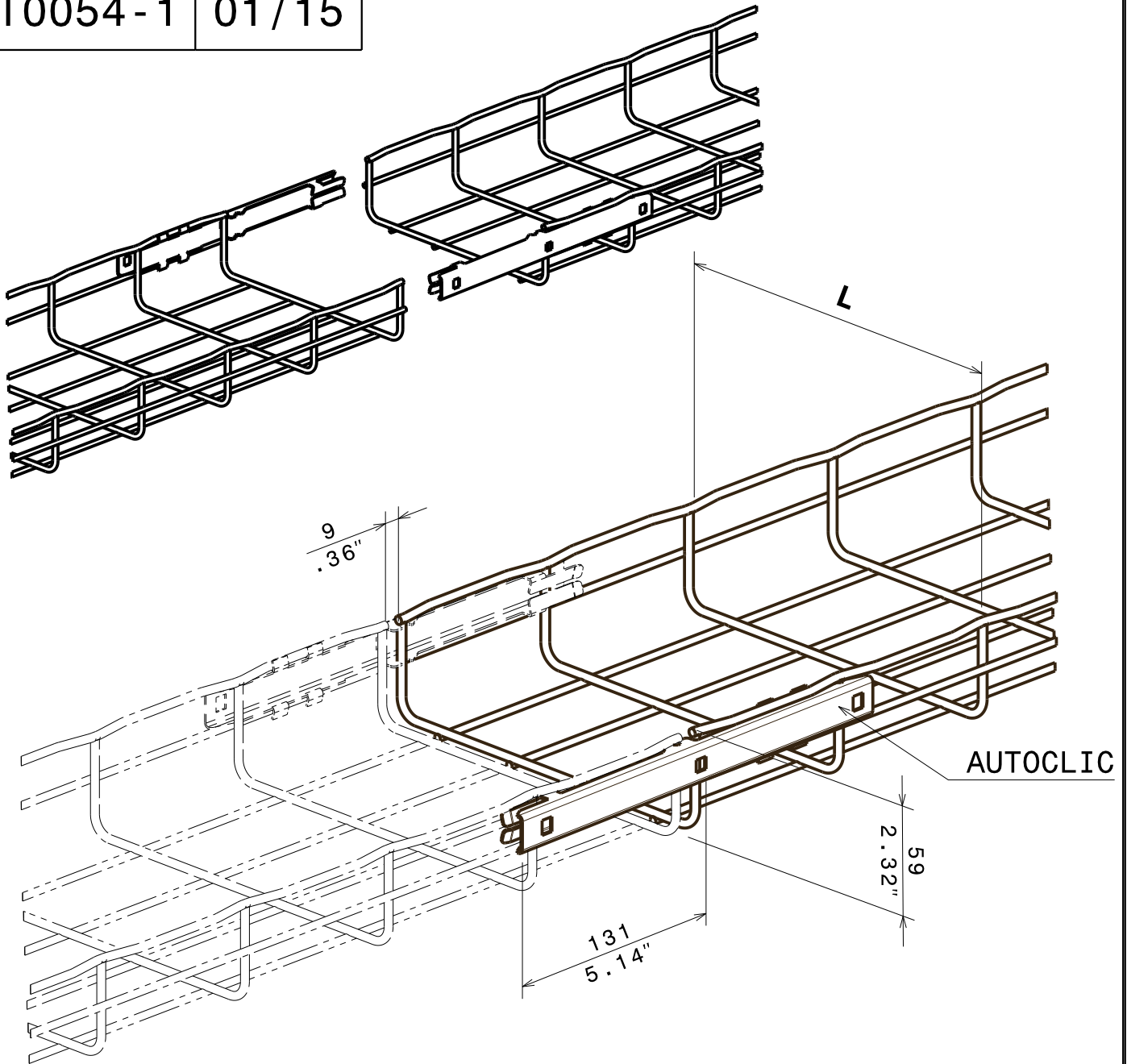
PCF54

EZ

CABLE
MANAGEMENT

FT0054-1

01/15



| REF | CODE | POIDS (Kg/m) | WEIGHT (lb/ft) | L (mm) | L (inch) |
|-----------|---------|------------------|--------------------|--------|----------|
| PCF54/50 | 080 061 | 0.580 | 0.385 | 50 | 1.967 |
| PCF54/100 | 080 071 | 0.720 | 0.480 | 100 | 3.937 |
| PCF54/150 | 080 081 | 0.860 | 0.570 | 150 | 5.904 |
| PCF54/200 | 080 091 | 1.120 | 0.745 | 200 | 7.872 |
| PCF54/300 | 080 101 | 1.570 | 1.045 | 300 | 11.81 |
| PCF54/400 | 080 201 | 2.250 | 1.500 | 400 | 15.75 |
| PCF54/500 | 080 301 | 2.560 | 1.705 | 500 | 19.69 |
| PCF54/600 | 080 401 | 3.140 | 2.090 | 600 | 23.64 |

NORMES / STANDARD

| | |
|--|-----------------------------------|
| AUTOCLIC DX 51 D Z275 MAC | EN 10 346 |
| CABLOFIL C4D TO C9D | EN ISO 16120-2 |
| PROTECTION / COATING Fe / Zn 12 / A | Class 3 according to CEI 61537 |

Propriété exclusive de LEGRAND, ne peut être ni copié, ni transmis à des tiers sans autorisation écrite.

Exclusive property of LEGRAND shouldn't be reproduced or transmitted to any people without written authorization