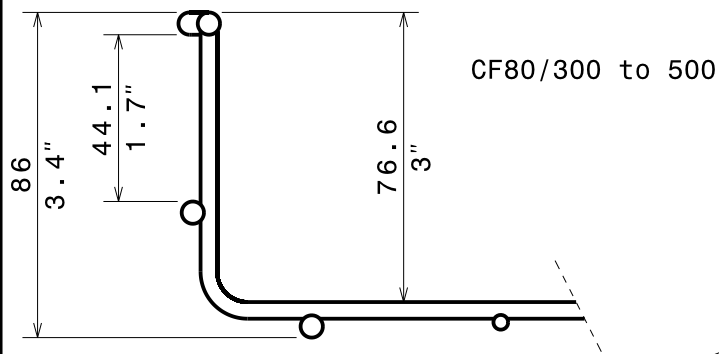
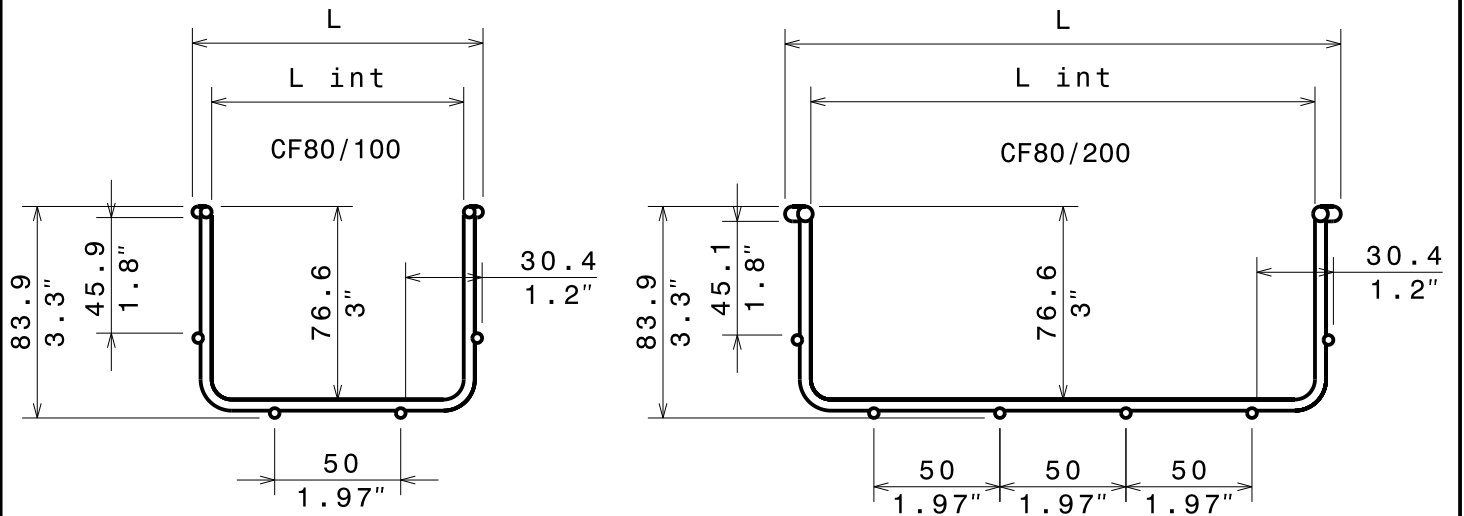


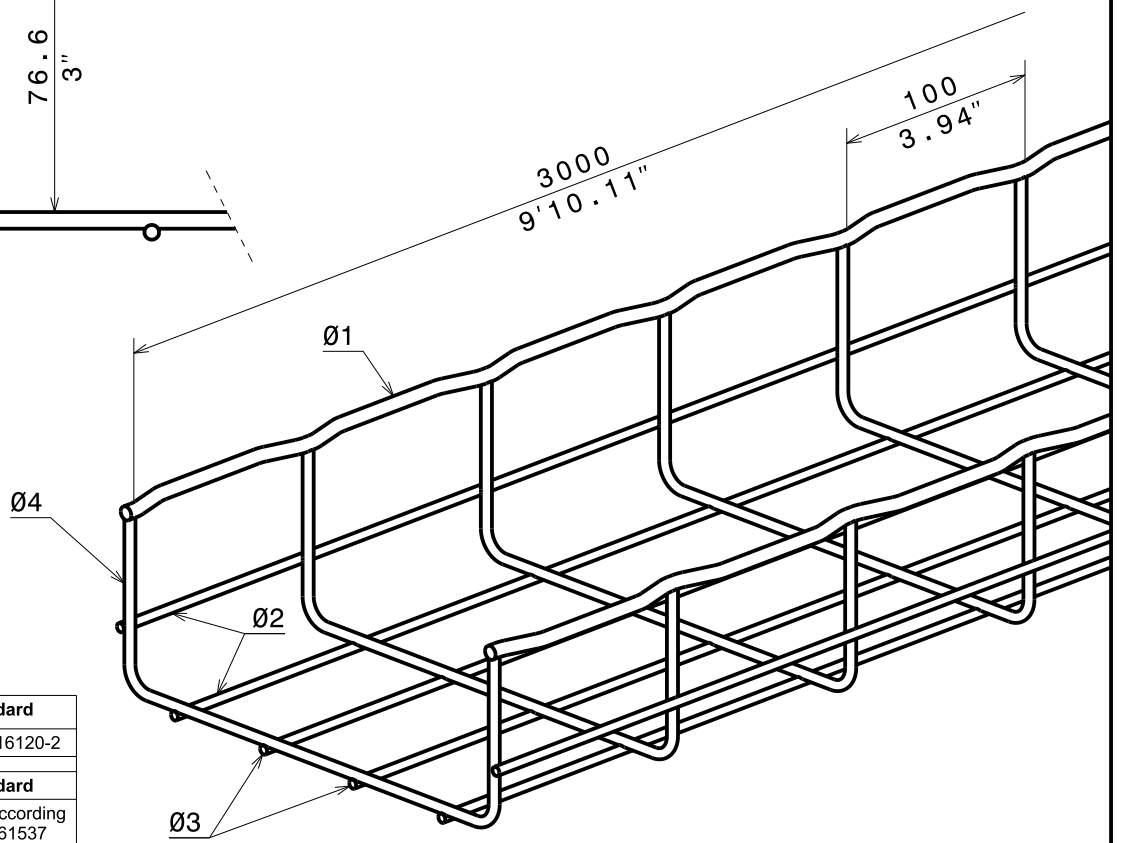
Designation: CABLOFIL CF80
EZ

Reference(s): 800 101/201/301/401/501



Ø (mm)	Ø (inch)
3.9	0,154
4.4	0,173
5.9	0,232

Material	Standard
C4D to C9D	EN ISO 16120-2
Finition Coating	Standard
Fe/Zn12/A	Class 3 according to CEI 61537



REF	CODE	POIDS/WEIGHT		Ø1	Ø2	Ø3	Ø4	L int		L	
		(Kg)	(lb)					mm	inch	mm	inch
CF80/100	800101	0.920	0.417	4.4	3.9	/	4.4	100	3,937	115.3	4.539
CF80/200	800201	1.430	0.649	5.9	3.9	3.9	4.4	200	7,874	220.5	8.681
CF80/300	800301	2.220	1.007	5.9	5.9	3.9	4.4	300	11,811	320.5	12.618
CF80/400	800401	2.530	1.148	5.9	5.9	3.9	4.4	400	15,748	420.5	16.555
CF80/500	800501	2.840	1.288	5.9	5.9	3.9	4.4	500	19,685	520.5	20.492