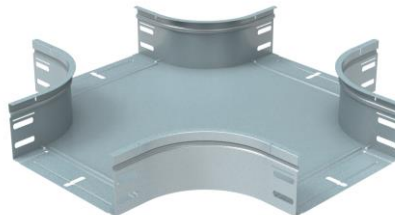
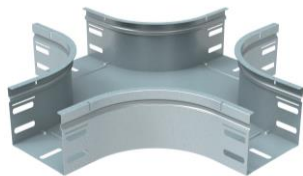


P31- 4 WAY CROSSPIECE H75

Reference(s): BT../075Z/100Z/150Z/200Z/300Z/400Z/500Z/600Z
BT../075C/100C/150C/200C/300C/400C/500C/600C
BT../075L/100L/150L/200L/300L/400L/500L/600L



1. USE

4 Way Crosspiece in H75 with blind bottom.

2. RANGE BLIND

■ 2.1 4 WAY CROSSPIECE H75 blind PG

Description	Code	Width		Weight		Thickness		Coating	Section	
		(mm)	(inch)	(Kg)	(lb)	(mm)	(inch)		(mm ²)	(inch ²)
P31-4 WAY CROSS. 75X75 PG	BT075Z	77	3,03	0,87	1,92	0,7	0,03	PG	6069	9,41
P31-4 WAY CROSS. 75X100 PG	BT100Z	100	3,94	0,97	2,14	0,7	0,03	PG	7870	12,20
P31-4 WAY CROSS. 75X150 PG	BT150Z	150	5,91	1,21	2,67	0,7	0,03	PG	11785	18,27
P31-4 WAY CROSS. 75X200 PG	BT200Z	200	7,87	1,48	3,25	0,7	0,03	PG	15700	24,34
P31-4 WAY CROSS. 75X300 PG	BT300Z	300	11,81	2,09	4,60	0,7	0,03	PG	23530	36,47
P31-4 WAY CROSS. 75X400 PG	BT400Z	400	15,75	2,81	6,19	0,7	0,03	PG	31360	48,61
P31-4 WAY CROSS. 75X500 PG	BT500Z	500	19,69	3,64	8,03	0,7	0,03	PG	39190	60,74
P31-4 WAY CROSS. 75X600 PG	BT600Z	600	23,62	4,59	10,11	0,7	0,03	PG	47020	72,88

■ 2.2 4 WAY CROSSPIECE H75 blind HDG

Description	Code	Width		Weight		Thickness		Coating	Section	
		(mm)	(inch)	(Kg)	(lb)	(mm)	(inch)		(mm ²)	(inch ²)
P31-4 WAY CROSS. 75X75 HDG	BT075C	77	3,03	0,96	2,11	0,7	0,03	HDG	6069	9,41
P31-4 WAY CROSS. 75X100 HDG	BT100C	100	3,94	1,07	2,35	0,7	0,03	HDG	7870	12,20
P31-4 WAY CROSS. 75X150 HDG	BT150C	150	5,91	1,33	2,93	0,7	0,03	HDG	11785	18,27
P31-4 WAY CROSS. 75X200 HDG	BT200C	200	7,87	1,62	3,58	0,7	0,03	HDG	15700	24,34
P31-4 WAY CROSS. 75X300 HDG	BT300C	300	11,81	2,30	5,06	0,7	0,03	HDG	23530	36,47
P31-4 WAY CROSS. 75X400 HDG	BT400C	400	15,75	3,09	6,81	0,7	0,03	HDG	31360	48,61
P31-4 WAY CROSS. 75X500 HDG	BT500C	500	19,69	4,01	8,83	0,7	0,03	HDG	39190	60,74
P31-4 WAY CROSS. 75X600 HDG	BT600C	600	23,62	5,04	11,12	0,7	0,03	HDG	47020	72,88

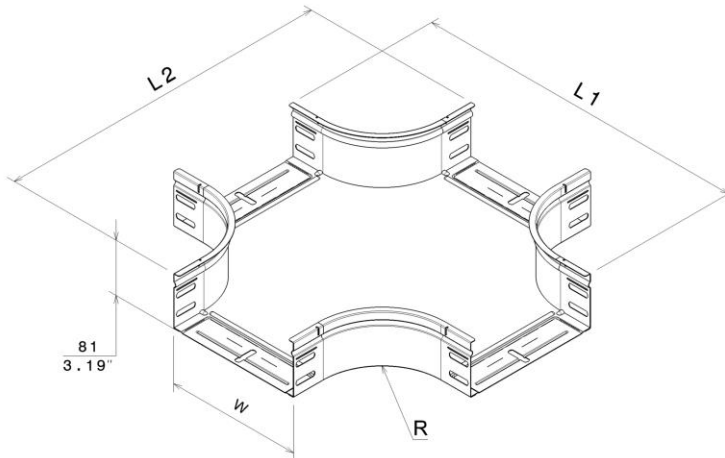
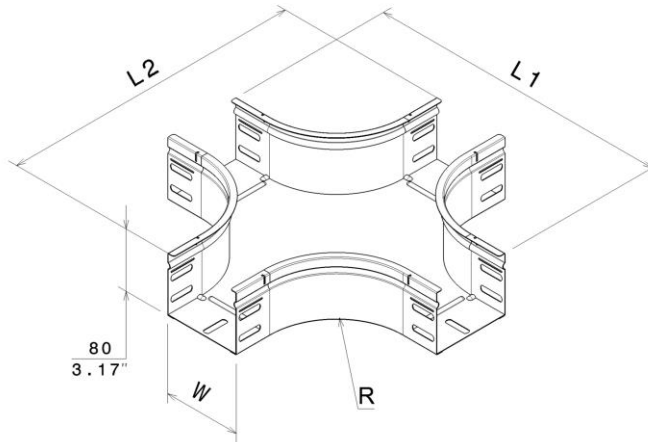
■ 2.3 4 WAY CROSSPIECE H75 blind 316L

Description	Code	Width		Weight		Thickness		Coating	Section	
		(mm)	(inch)	(Kg)	(lb)	(mm)	(inch)		(mm ²)	(inch ²)
P31-4 WAY CROSS. 75X75 INOX 316L	BT075L	77	3,03	0,87	1,92	0,7	0,03	316L	6069	9,41
P31-4 WAY CROSS. 75X100 INOX 316L	BT100L	100	3,94	0,97	2,14	0,7	0,03	316L	7870	12,20
P31-4 WAY CROSS. 75X150 INOX 316L	BT150L	150	5,91	1,21	2,67	0,7	0,03	316L	11785	18,27
P31-4 WAY CROSS. 75X200 INOX 316L	BT200L	200	7,87	1,48	3,25	0,7	0,03	316L	15700	24,34
P31-4 WAY CROSS. 75X300 INOX 316L	BT300L	300	11,81	2,09	4,60	0,7	0,03	316L	23530	36,47
P31-4 WAY CROSS. 75X400 INOX 316L	BT400L	400	15,75	2,81	6,19	0,7	0,03	316L	31360	48,61
P31-4 WAY CROSS. 75X500 INOX 316L	BT500L	500	19,69	3,64	8,03	0,7	0,03	316L	39190	60,74
P31-4 WAY CROSS. 75X600 INOX 316L	BT600L	600	23,62	4,59	10,11	0,7	0,03	316L	47020	72,88

3. DIMENSIONS (mm/inch)

■ **3.1 Fitting dimensions**

Description	Width		Radius		L1		L2	
	(mm)	(inch)	(mm)	(inch)	(mm)	(inch)	(mm)	(inch)
P31-4WAY CROSS. 75X75	79	3,11	100	3,94	378	14,88	378	14,88
P31-4WAY CROSS. 75X100	102	4,02	100	3,94	401	15,79	401	15,79
P31-4WAY CROSS. 75X150	152	5,98	100	3,94	451	17,76	451	17,76
P31-4WAY CROSS. 75X200	202	7,95	100	3,94	501	19,72	501	19,72
P31-4WAY CROSS. 75X300	302	11,89	100	3,94	601	23,66	601	23,66
P31-4WAY CROSS. 75X400	402	15,83	100	3,94	701	27,60	701	27,60
P31-4WAY CROSS. 75X500	502	19,76	100	3,94	801	31,54	801	31,54
P31-4WAY CROSS. 75X600	602	23,70	100	3,94	901	35,47	901	35,47



4. INSTALLATION

■ 4.1 Screw and tools

Use screws M6x12 tightened at 11Nm

Reference(s): 341895 / 03V1M610Z (PG)

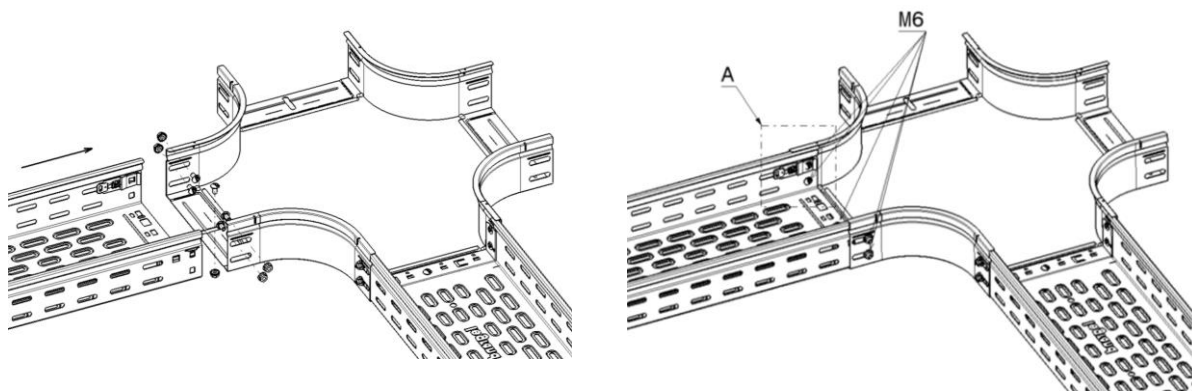
485035 (Zn-Ni)

346895/ 03V1M610L (SS316L)

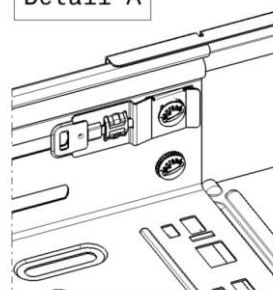
■ 4.2 Fitting to cable tray

4 Way Crosspiece height 75 are assembled using 20 screws M6x12 on the side and on the bottom.

The screws in the middle is optional up to and included width 300mm.



Detail A



5. TECHNICAL DATA

■ 5.1 Climatic characteristics

Storage and operating temperature: - 20° C à + 120° C

■ 5.2 Material characteristics

Material finish	Material	Standard	Resistance class against corrosion
PG	DX51D + Z200	EN 10346	Classe 3 - CEI 61537
BLUE	DX51D + Z200	EN 10346	Classe 3 - CEI 61537
HDG	DC 01	EN 10130	Classe 6 - CEI 61537
SS304	X5CrNi18-10	EN 10 088-2	Classe 9A - CEI 61537
SS316L	X2CrNiMo17-12-2	EN 10 088-2	Classe 9B - CEI 61537

6. CONFORMITY - CERTIFICATION

Comply with CEI 61537 Cable tray systems

Certification: CE, IMQ