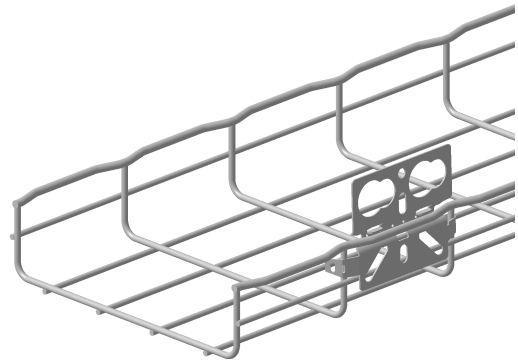
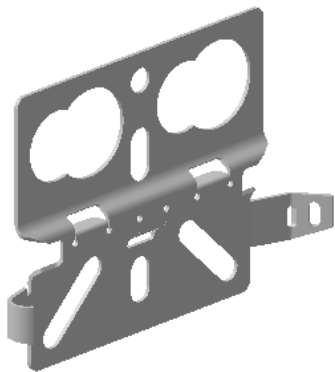
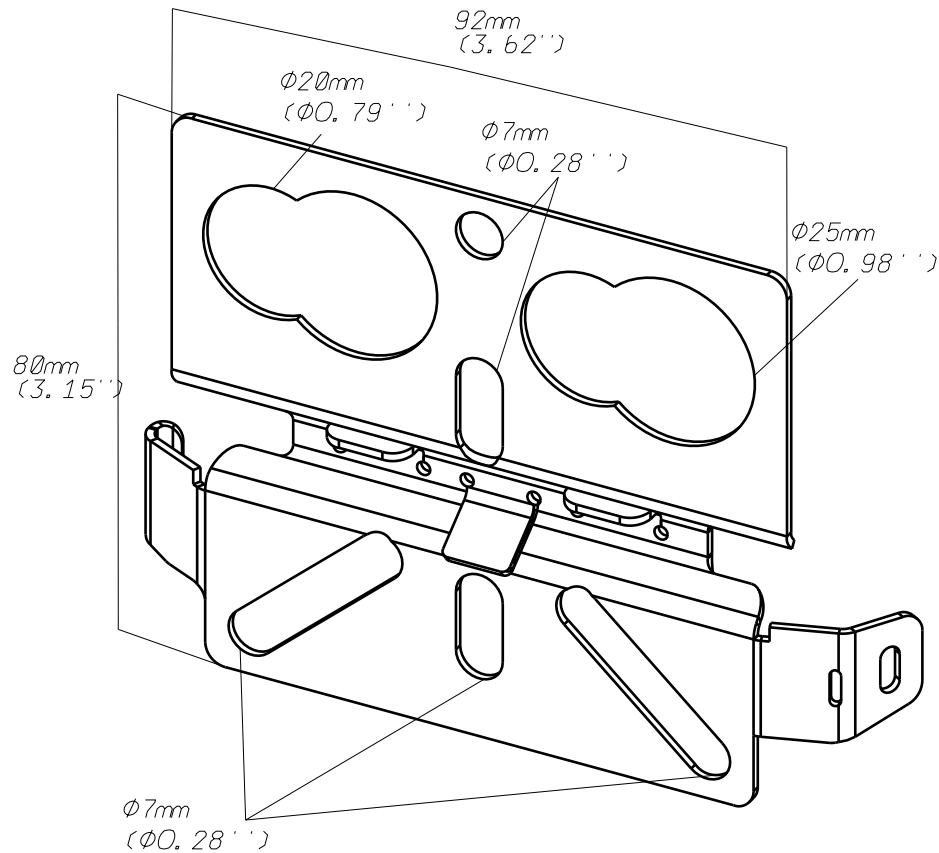


**SUPPORT BOITE DE DERIVATION
SBDN DIVERSION BOX SUPPORT**

Reference(s) : 350575/76/77

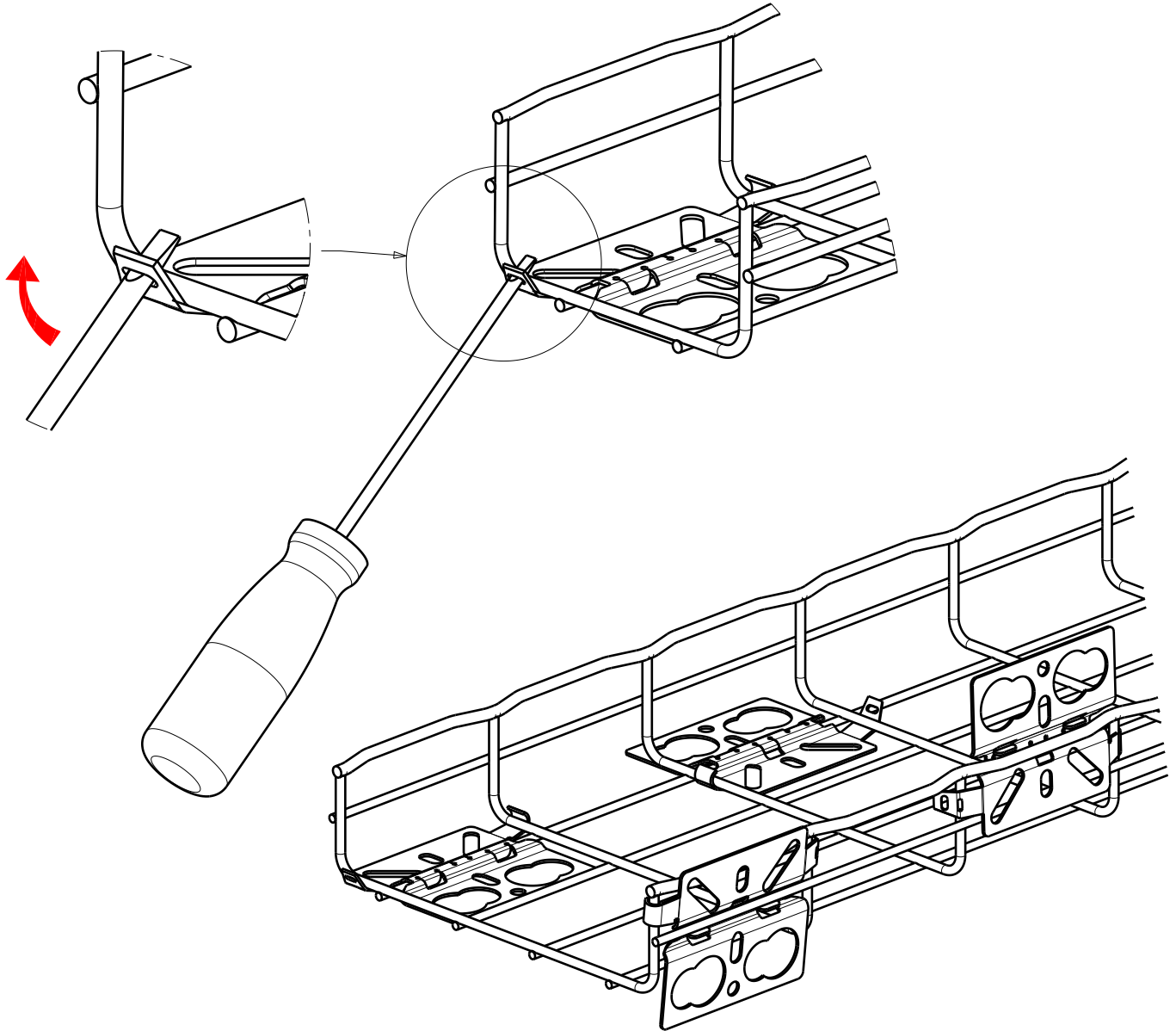

1. GAMME / RANGE


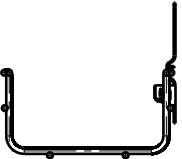
Designation	Code	Poids / Weight		Epaisseur / Thickness		Matière / Material	Norme / Standard	Finition / Coating	Classe de résistance contre la corrosion / Resistance class against corrosion
		(Kg)	(lb)	(mm)	(inch)				
SBDN GS	350575	0.054	0.119	1.2	0.05	DX51D Z275 MAC	EN 10 346	GS / PG	Class 3 / IEC 61537
SBDN ZM	350576	0.054	0.119	1.2	0.05	DX51D ZM310 MAC	EN 10 346	ZM (ZnMg)	Class 6 / IEC 61537
SBDN IN316L	350577	0.056	0.123	1.2	0.05	X2 Cr Ni Mo 17-12-2	EN 10 088-2	IN316L / SS316L	Class 9D / IEC 61537

2. DIMENSIONS (mm/inch)


**SUPPORT BOITE DE DERIVATION
SBDN DIVERSION BOX SUPPORT**

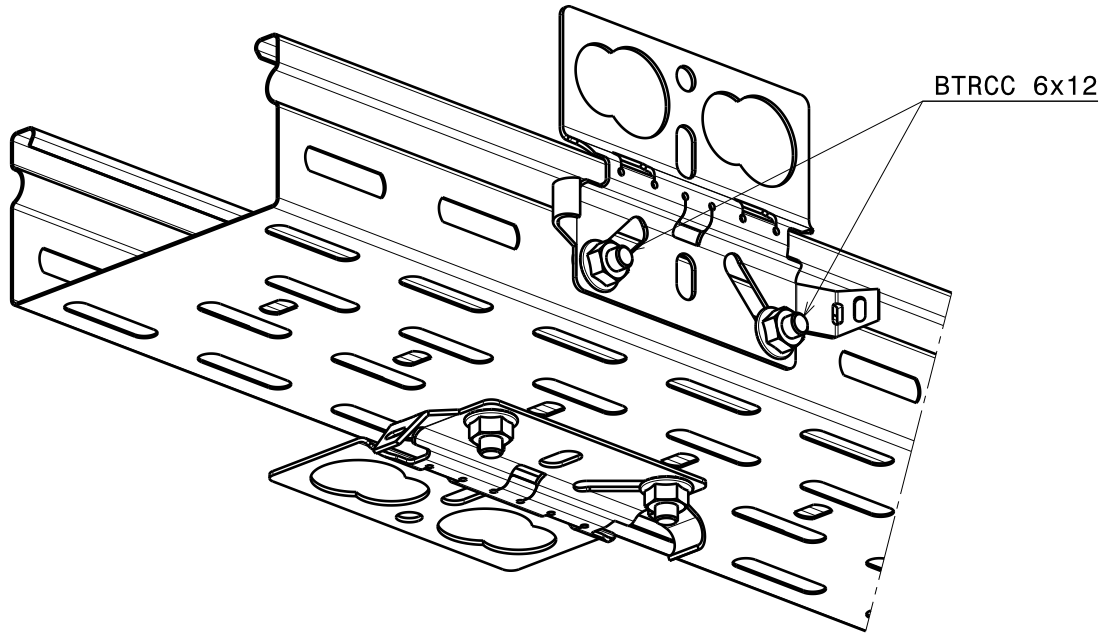
Reference(s) : 350575/76/77

3. INSTALLATION


GAMME / RANGE	CF30 -> CF105	HDF 105	G-MINI	CFG	TRI HDF	ZF31 H25 -> 100
<----->	50 -> 600	100 -> 600	50	100 -> 200	100	50 -> 600
	V	V	V	V	V	V
	V	V	V	V	V	V

**SUPPORT BOITE DE DERIVATION
SBDN DIVERSION BOX SUPPORT**

Reference(s) : 350575/76/77

3. INSTALLATION


GAMME / RANGE	P31 TP25 -> 100	P31 HBM25 -> 75	P31 TB50 -> 100	P31 HD50 -> 100
<----->	50 -> 600	50 -> 500	50 -> 600	50 -> 600
	V	V	X	V
	V	V	X	V