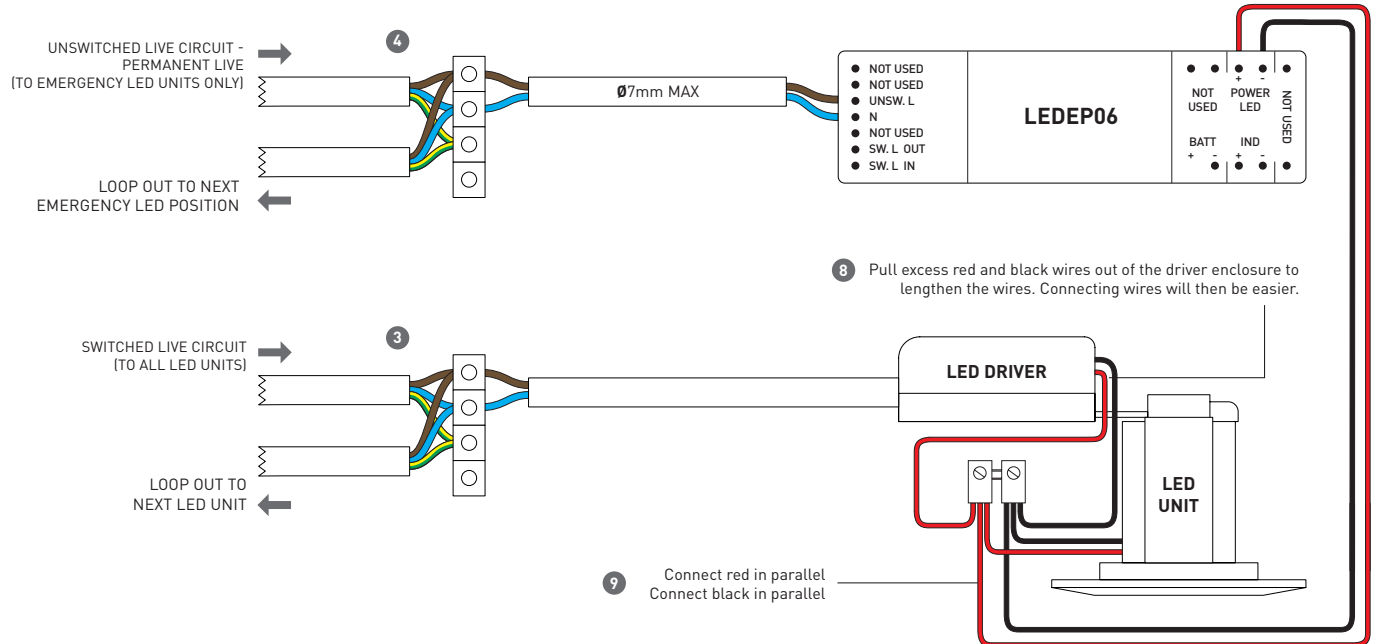
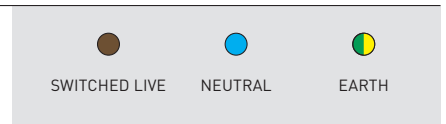


LEDEP06

INSTALLATION INSTRUCTIONS



See overleaf for single mains circuit option (1 x 4-core cable)



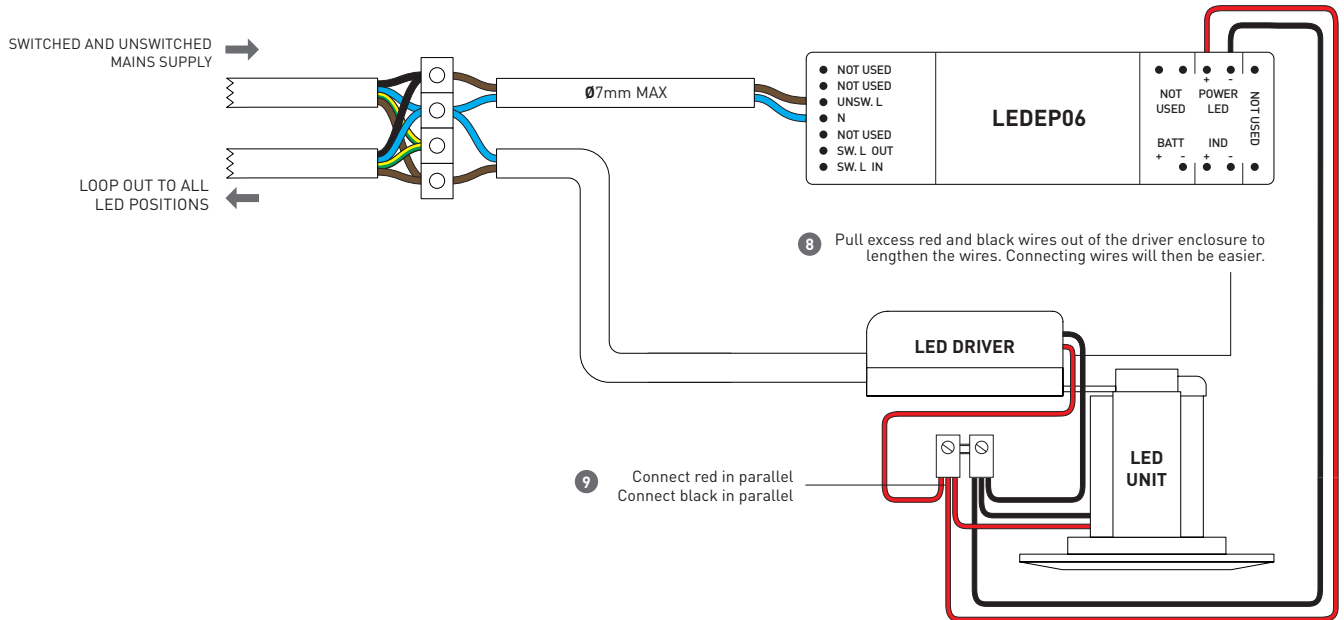
Installation

1. Refer to the LED unit installation instructions, cut the downlight holes and install all non-emergency LED units.
2. For each emergency light position, drill an 8mm hole close to the downlight hole. This is for the LEDEP06 indicator LED.
3. **SWITCHED LIVE CIRCUIT**
Connect the LED driver mains cable to the switched live supply.
4. **UNSWITCHED LIVE CIRCUIT**
Connect the LEDEP06 unswitched live and neutral terminals to the unswitched live supply.
5. Fit cable clamps to secure the wires at both ends of the LEDEP06.
6. Fit end covers to both ends of the LEDEP06.
7. Connect the battery pack to the LEDEP06 (plug & play).
8. Pull excess red/black wire out from the LED driver, and cut each wire at the mid-point.
9. Connect the red and black LEDEP06 output wires in parallel to the red and black wires of the LED unit.
10. Feed the junction boxes/connectors and LEDEP06 through the ceiling hole.
11. Feed the indicator LED down through the 8mm hole.
12. Fit the indicator housing to the indicator LED, then press the housing into the ceiling.
Note: If the drilled hole is slightly larger than 8mm, it may be necessary to apply a little adhesive to the housing to secure it.
13. Fit the LED unit into the ceiling.
14. See overleaf for commissioning.

LEDEP06

INSTALLATION INSTRUCTIONS / CONSIGNES D'INSTALLATION / MONTAGEANLEITUNG

● SWITCHED LIVE ● NEUTRAL ● EARTH ● UNSWITCHED LIVE



EN

FR

DE

Emergency Pack Commissioning

1. Install unit in ceiling according to the instructions.
2. Provide an uninterrupted mains power supply for 24 hours.
3. Check that the indicator LED light is lit. This confirms that the batteries are charging.
4. Remove the mains supply – the lamp will operate under battery power for 3 hours minimum.
5. Restore mains power to the unit, check light functions correctly.

Note

- In normal operation, the green LED will be constantly lit to indicate that the battery is charging. If the green LED is ever not lit, investigate immediately and rectify the fault.
- Periodic testing of the unit must be performed in line with the appropriate regulations.