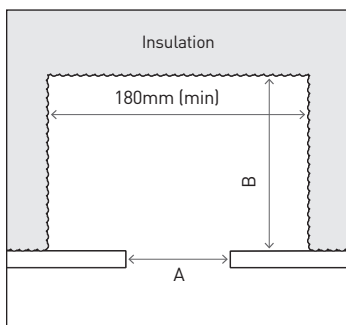


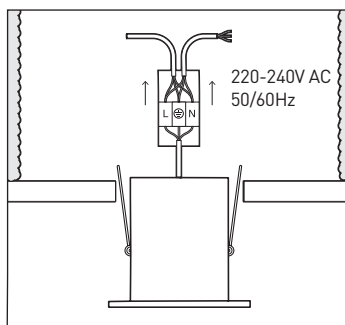
FIRE RATED DOWNLIGHT

INSTALLATION INSTRUCTIONS

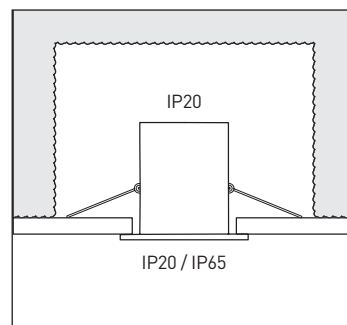
Cut ceiling hole, establish air gap



Connect to mains



Install centrally into ceiling hole



Part Number	Description	Cut out size Ø (A)	Void depth (B)
CWFRC001	Fire rated can IP20 White	65 - 70mm	130mm
CWFRC002	Fire rated can IP20 Brushed Steel	65 - 70mm	130mm
CWFRC003	Fire rated can IP20 Polished Chrome	65 - 70mm	130mm
CWFRC004	Fire rated can IP65 White	68 - 70mm	140mm
CWFRC005	Fire rated can IP65 Brushed Steel	68 - 70mm	140mm
CWFRC006	Fire rated can IP65 Polished Chrome	68 - 70mm	140mm
CWFRC007*	Adjustable Fire rated can IP20 White	79mm	145mm
CWFRC008*	Adjustable Fire rated can IP20 Brushed Steel	79mm	145mm
CWFRC009*	Adjustable Fire rated can IP20 Polished Chrome	79mm	145mm

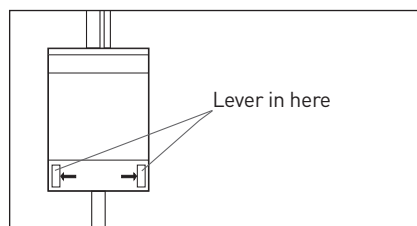
* To comply with the air leakage requirement of Part C of the building regulations, Collingwood adjustable fire rated downlight can be installed at a density of one per 8.3m² of ceiling

EN

Installation data

- Isolate the mains supply, prior to wiring.
- This unit must be wired by a qualified electrician or suitable competent person.
- Number of connections to make 3.
- Rated voltage 220-240V AC.
- Suitable for LED GU10 up to 6w
- Suitable for 30, 60, and 90 minute fire-rated ceilings.

To open connector, lever apart



3yr
Three Year
Guarantee