

COUDE 45° P31 FB H75 75 à 400
Flat bend 45° P31 75x75 to 400

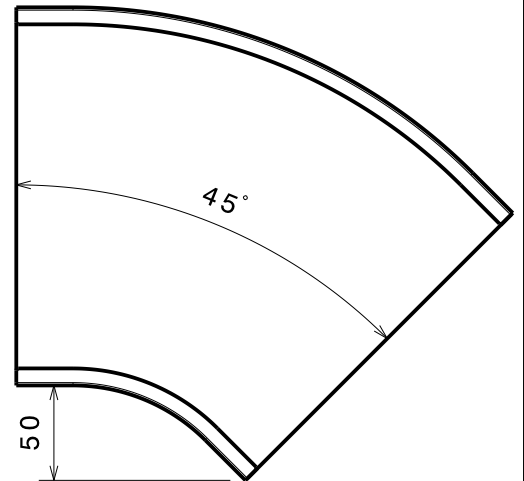
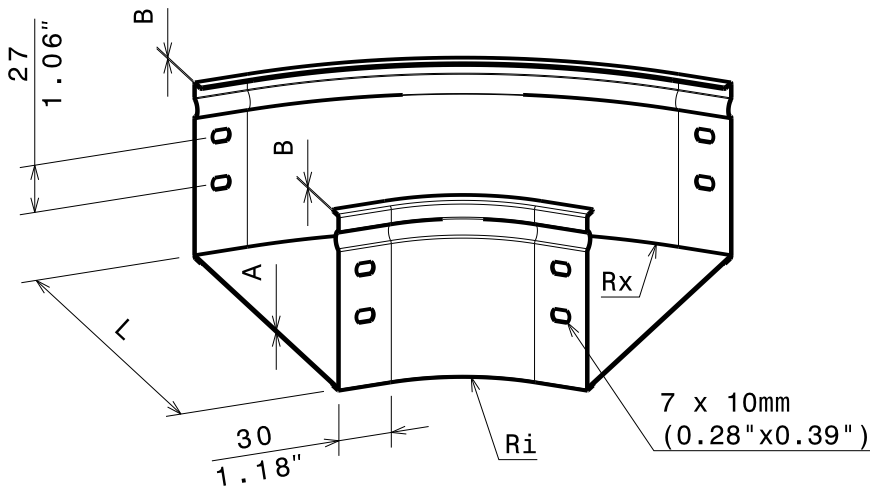
INOX 304L
SS304L

legrand | CABLE
MANAGEMENT

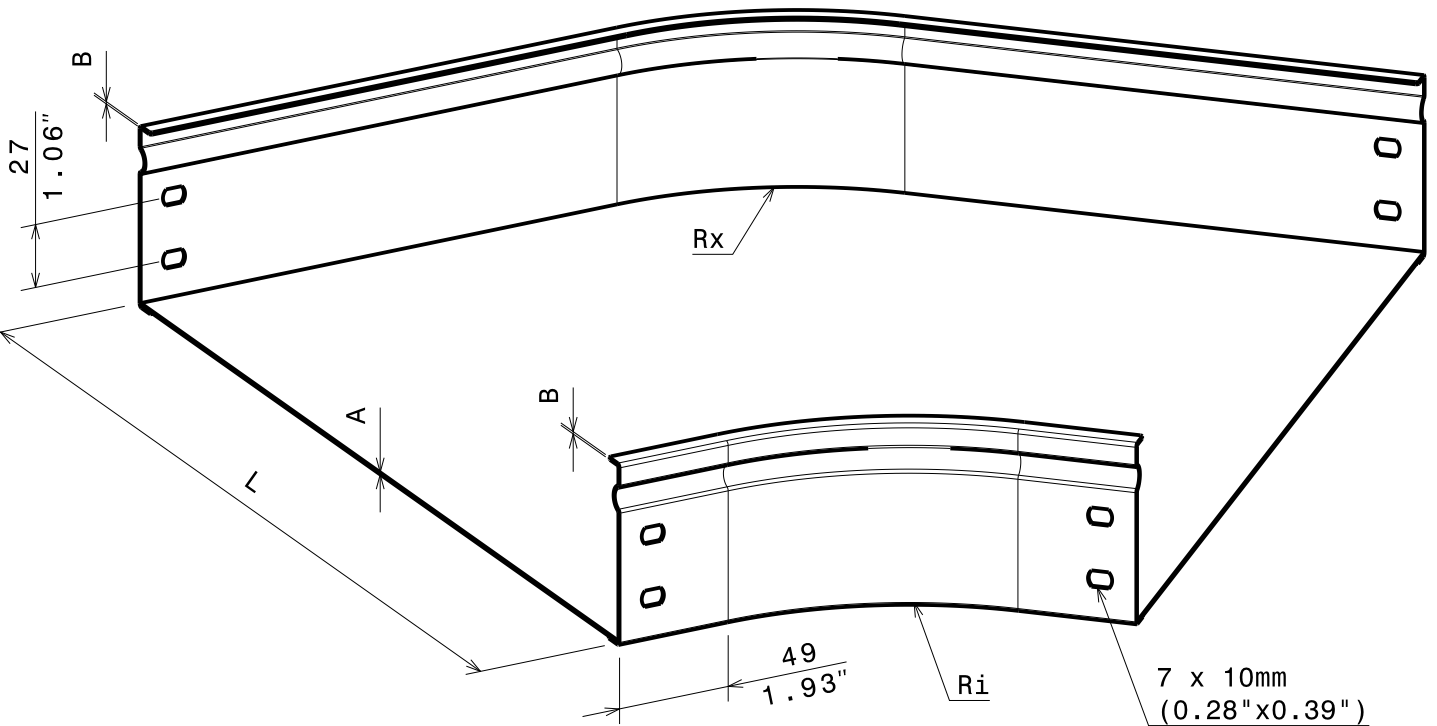
FT0597-8

10 16

P31 Flat Bend 45° H75 L75-300 mm



P31 Flat Bend 45° H75 L400 mm



REF	CODE	L / L		A / A		B / B		Ri / Ri		Rx / Rx		WEIGHT KG / lb
		(mm)	(inch)	(mm)	(inch)	(mm)	(inch)	(mm)	(inch)	(mm)	(inch)	
P31FB4575x75	346 414	75	2.92"	0.8	0.032"	0.95	0.037"	100	3.94"	175	6.89"	0.420/0.926"
P31FB4575x100	346 415	100	3.94"	0.8	0.032"	0.95	0.037"	100	3.94"	200	7.87"	0.490/1.080"
P31FB4575x150	346 416	150	5.91"	0.8	0.032"	0.95	0.037"	100	3.94"	250	9.84"	0.620/1.367"
P31FB4575x200	346 417	200	7.87"	0.8	0.032"	0.95	0.037"	100	3.94"	300	11.81"	0.800/1.763"
P31FB4575x300	346 418	300	11.81"	1	0.039"	0.95	0.037"	100	3.94"	400	15.74"	1.150/2.535"
P31FB4575x400	346 419	400	15.75"	1	0.039"	0.95	0.037"	150	5.91"	150	5.91"	1.760/3.880"

Material	Standard
X2 Cr Ni 18-9	EN 10 088-2

Propriété exclusive de LEGRAND, ne peut être ni copié, ni transmis à des tiers sans autorisation écrite.

Exclusive property of LEGRAND shouldn't be reproduced or transmitted to any people without written authorization