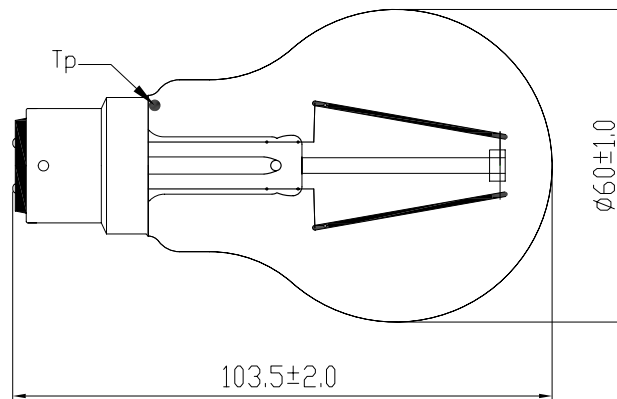


DIMENSIONS (mm):

Bulb type : A60

Finish : Clear

Cap type : B22 Nickel Plated Brass

Light Colour : 827 Homelight

ELECTRICAL DATA:

			RATED	MIN.	MAX.
Lamp Wattage	(W) :		4.0	-	4.6
Lamp Voltage	(V) :		235	230.0	240.0
Lamp Current	(mA) :		38		
Power Factor	(λ) :		0.5	0.4	-
Supply Frequency	(Hz) :		50		
Energy Consumption per 1000h	(kW/h) :		4.0		

PHOTOMETRIC DATA:

Luminous Flux	(lm) :		470	423	-
Luminous Efficacy	(lm/W) :		118		
Correlated Colour Temperature	(K) :		2700		
Colour Rendering Index	(Ra) :		80	77	-
Red Colour Rendition	(R ₉) :		10		
Chromaticity Co-ordinates	(x,y) :	CCx=0.460	CCy=0.411	6-step MacAdam Ellipse	

OPERATING CONDITIONS:

Ta Ambient temperature range	(°C) :		25	-10	45
Tp Point	(°C) :		60	-	-
Starting Time	(s) :		-	-	0.5
Warm-up Time to >95% Flux	(s) :		-	-	1.0
Burning Position	:		General		
External Control Gear type	:		None		

LAMP LIFE:

Average Life (L _{70F50})	(h) :		15,000		
Switching Cycles	(#) :		7,500		

APPLICATION: General lighting.

Not suitable for use with dimmer switches / electronic timers / electronic switches.

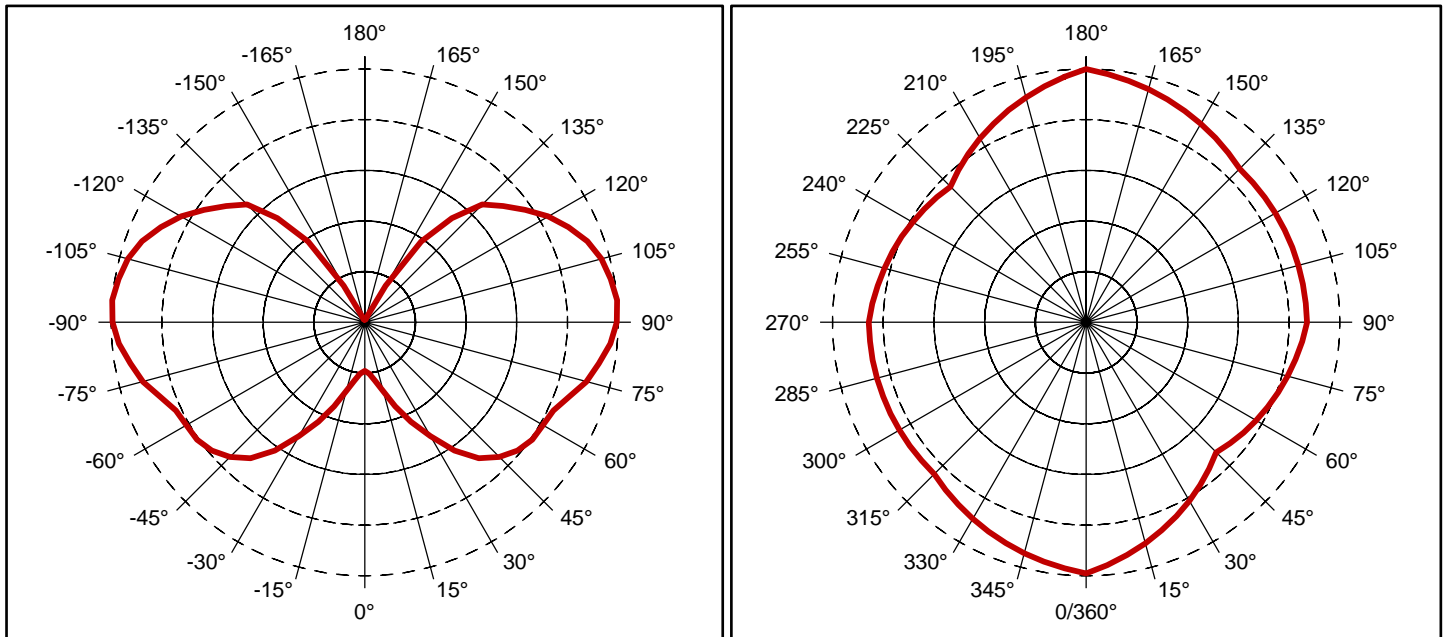
Complies with IEC62560, IEC62612, IEC62471, IEC61547, IEC61000, EN55015, EN62493.

Issued by : GUANGZHOU
 Date : 5.VIII.2014
 Revision date :

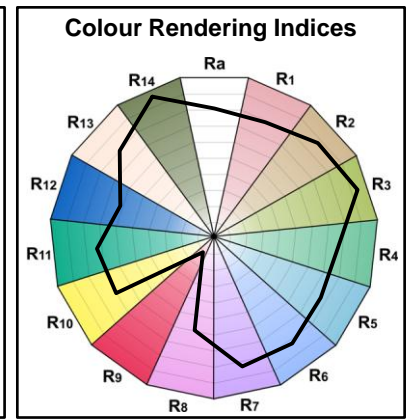
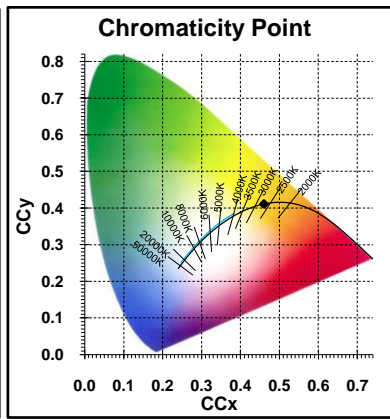
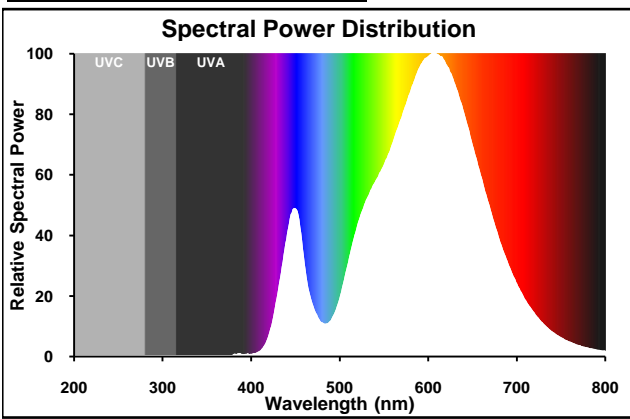
DATA SHEET

Spec No. : AEC_L-LED-A-0027162
 Supers
 Page 1 of 2

PHOTOMETRIC GRAPHICS:



SPECTRAL GRAPHICS:



PERFORMANCE GRAPHICS:

Issued by	: GUANGZHOU
Date	: 5.VIII.2014
Revision date	:

DATA SHEET

Spec No.	: AEC_L-LED-A-0027162
Supers	
Page	2 of 2